

EBIOS FIRE

by SPARTHERM®



ASSEMBLY AND OPERATING MANUAL

ETHANOL BURNER LINE/LINE+

STATUS 04.2022

Fire for any ambiance

Document information

Assembly and operating manual for ethanol burners:

- LINE 800
- LINE 1000
- LINE 1200
- LINE 1500
- LINE+ 800
- LINE+ 1000
- LINE+ 1200
- LINE+ 1500

The descriptions are identical for all above-mentioned models. Any differences will be addressed explicitly. The images show the ethanol burner LINE 800.

The ethanol burner is referred to as the “unit” in this manual.

Safety information

⚠ DANGER!

Information marked with the word DANGER indicates a dangerous situation that will lead to severe injuries or death.

⚠ WARNING!

Information marked with the word WARNING indicates a dangerous situation that may lead to severe injuries or death.

⚠ CAUTION!

Information marked with the word CAUTION indicates a situation that may lead to minor to medium injuries.

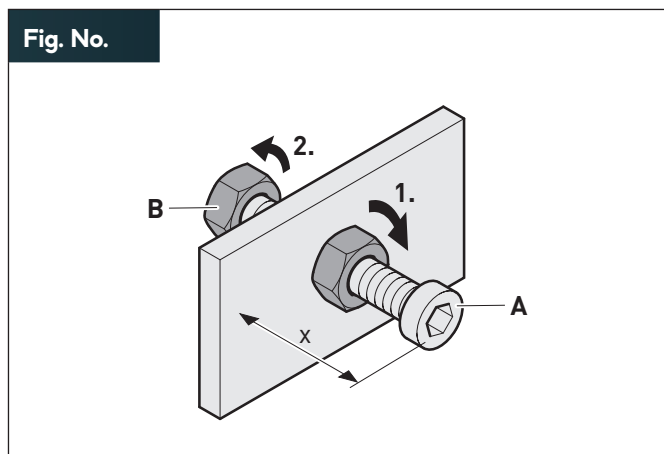
⚠ ATTENTION!

Information marked with the word ATTENTION indicates a situation that may lead to property or environmental damage.

Symbol explanation for text

- ▶ Action prompt
- List
- ✓ Check
- 💡 Advice or recommendation
- § Indication of standards or directives
- ➡ Reference to other sections of this document
- 📄 Reference to other sources to be taken into account

Symbol explanation for images



- Highlighting of sections requiring action
- 1. Numbered action steps
- A Component designation or dimensions
- x Dimensions in mm
- ↻ Movement and direction arrows

Table of contents

1. Safety information	4		
1.1 Intended use	4		
1.2 Authorised target groups	4		
1.2.1 Manufacturer	4		
1.2.2 Owner	4		
1.2.3 Qualified personnel	4		
1.2.4 Users	4		
1.3 Behaviour in emergencies	5		
1.4 General safety information	5		
2. Product information	6		
2.1 Functional principle	6		
2.2 Material	6		
2.3 Protective devices	6		
2.4 Models	7		
2.4.1 LINE	7		
2.4.2 LINE+	7		
2.5 Product overview	8		
2.6 Scope of delivery	9		
2.7 Technical data	10		
2.8 Installation dimensions	10		
2.9 Dimensions	11		
3. Type of fuel	12		
3.1 Information on the type of fuel	12		
3.2 Permissible types of fuel	12		
3.3 Fuel storage	12		
4. Assembly	13		
4.1 Safety information for assembly	13		
4.2 Requirements for assembly	13		
4.3 Requirements for the installation space	13		
4.4 Installation types	14		
4.5 Safety distances	16		
4.6 Preparation for assembly	19		
4.7 Transporting the unit	19		
4.8 Unpacking the unit	19		
4.9 Installing the unit	20		
4.10 Installing the glass panel	21		
4.11 Installing the glass panes	22		
4.12 Checking the installation	23		
4.13 Instructing the owner	23		
4.14 Performing initial start-up	24		
5. Use	25		
5.1 Safety information for use	25		
5.2 Presentation of the control panel	26		
5.3 Presentation of the remote control	26		
		5.4 Operation by smartphone (optional)	27
		5.4.1 Installing the eBios LINE app	27
		5.4.2 Linking the unit to the smartphone	27
		5.4.3 Registering the unit in the home network	29
		5.4.4 Registering the unit via an access point network	30
		5.5 Filling the unit	32
		5.6 Firing mode	34
		5.6.1 Prerequisites for firing mode	34
		5.6.2 Starting firing mode	35
		5.6.3 Controlling firing mode	35
		5.6.4 Ending firing mode	36
		5.6.5 Using the smartphone to control firing mode (optional)	37
		6. Cleaning	40
		6.1 Safety information for cleaning	40
		6.2 Cleaning tasks	40
		7. Service work	41
		7.1 Safety information for service work	41
		7.2 Maintenance measures	41
		7.3 Malfunction repair	42
		7.4 Emptying the fuel tank	44
		8. Disassembly	47
		8.1 Safety information for disassembly	47
		8.2 Disassembling the unit	47
		9. Disposal	48
		9.1 Disposing of the packaging	48
		9.2 Disposing of the unit	48
		10. Accessories	50
		10.1 Glass panes	50
		10.2 Decorative materials	50
		10.3 Installation boxes	52
		10.3.1 Box 1V	52
		10.3.2 Box 2L / 2R	56
		10.3.3 Box 3RL	60
		10.3.4 Box FD	64
		10.3.5 Box U	68
		11. Combination with televisions	72
		12. Appendix	74
		12.1 Warranty terms	74
		12.2 Standards and regulations	74
		12.3 Declarations of conformity	74

Safety information

1. Safety information

1.1 Intended use

The unit is intended to provide decoration and create a fire atmosphere indoors.

The following conditions apply to using the unit:

- Only the authorised target group may install or use the unit or perform other activities on the unit.
- The unit must be installed in a dry space in an enclosed building.
- The only fuel used is bioethanol (purity level 96.6%).
- The national and regional regulations and directives are observed.
 - ➔ “12.2 Standards and regulations” (page 74).
- The requirements and safety information in these instructions are observed.

Any other use is regarded as unintended use. In particular, the unit is not intended for heating or barbecuing. The manufacturer is not liable for damage caused by unintended use.

1.2 Authorised target groups

Authorised target groups are divided into groups of people with different levels of authorisation.

1.2.1 Manufacturer

The manufacturer and the manufacturer's agents have the following tasks:

- Delivery of a ready-for-installation unit.
- Setting the unit to its factory settings.
- Instructing the owner in the intended use of the unit (e.g. via the installation and operating manual).

1.2.2 Owner

The owner is responsible for the building in which the unit is used.

The owner has the following tasks:

- Meeting the requirements for the installation site.
- Ensuring that the unit is always in perfect technical condition.
- Adhering to cleaning and maintenance requirements.
- Instructing the users.
- Providing and adhering to these instructions.

1.2.3 Qualified personnel

Qualified personnel are responsible for installation, commissioning, maintenance, disassembly and disposal.

Requirements for qualified personnel:

- Professional experience or knowledge of the installation of ethanol burners.
- Experience in the use of electrical and mechanical tools.
- Familiarity with occupational health and safety regulations.
- Knowledge of how to read technical drawings.
- Familiarity with these instructions.

Electrical work may only be performed by qualified electricians.

§ DIN VDE 0100

Requirements for qualified electricians:

- Familiarity with the basics of electrical engineering.
- Familiarity with country-specific regulations and standards.
- Familiarity with the relevant safety regulations.
- Familiarity with these instructions.

1.2.4 Users

Instructed users perform work during use, cleaning and service work.

Requirements for instructed users:

- The users have been instructed in the safe and intended use of the unit.
- The users have been instructed with regard to their work by the owner.
- Meeting the requirements for firing mode.
- The users monitor the unit and safety distances during operation.
- The users instruct other people (e.g. guests) about the dangers of operating the unit.
- Familiarity with these instructions.

Special requirements apply to the following users:

- Children aged 14 and over.
- People with decreased physical, sensory or mental capabilities.
- People with a lack of experience and knowledge.

These users may only use the unit under the following conditions:

- The users are supervised.
- The users have been instructed in the safe use of the unit.
- The users understand the dangers of handling the unit.
- Children may not play with the unit.

Children and pets must be supervised at all times and must be kept away from the unit.

💡 We recommend attaching a fixture to protect this group (e.g. in front of hot unit components).

1.3 Behaviour in emergencies

- ▶ Never put yourself at risk of death.

If it is possible without endangering yourself:

- ▶ Warn others.
- ▶ Instruct others to leave the building.
- ▶ Deactivate the unit.

In the event of a fire:

- ▶ Never use water to put out a fire on or in the unit.
- ▶ Use the required fire extinguisher.
 - ➔ "5.6.1 Prerequisites for firing mode" (page 34).

1.4 General safety information

WARNING!

Danger due to non-adherence to the operating and assembly instructions!

These instructions contain important information on how to safely handle the unit. Potential dangers are pointed out explicitly. Non-adherence can lead to severe injuries or death.

- ▶ Carefully read these instructions.
- ▶ Adhere to the safety information in these instructions.
- ▶ Keep the instructions in an accessible place.

The unit may not be used in the following cases:

- If the unit or individual components are damaged.
- If unauthorised modifications or changes have been made to the unit.
- After improper repairs.
- If safety devices are missing or not functional.
- In garages, stairwells or hallways accessible by the general public.
- In rooms with humidity above 50 %. (e.g. pools, spa areas).
- In rooms with air containing chlorine (e.g. pools, spa areas).
- In areas at risk of explosion.

In the following cases, the manufacturer shall not accept any liability for damage:

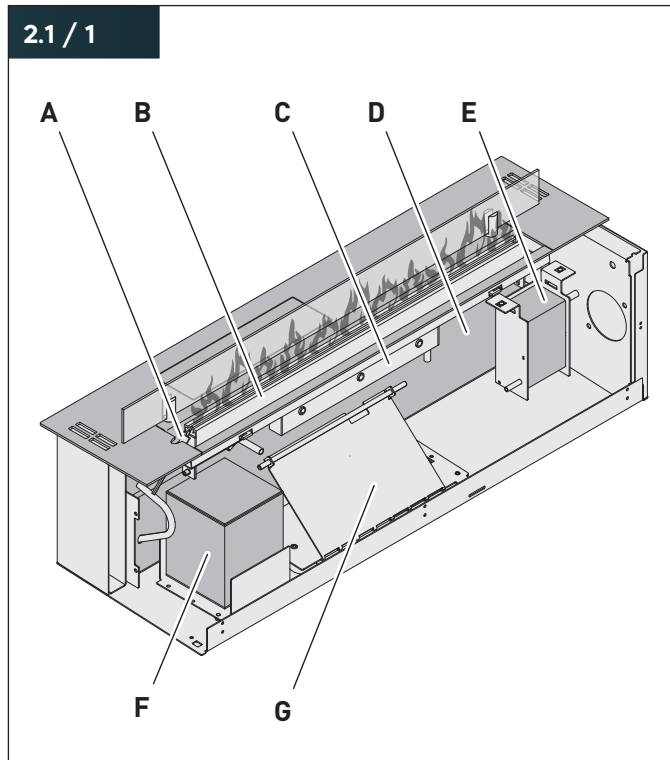
- If these instructions are not adhered to.
- In the event of unintended use.
- In the event of improper handling.
- If the unit is used by unauthorised target groups.
- If the unit is installed or repaired by unauthorised experts.
- In the event of unauthorised conversions.
- If spare parts are used which were not manufactured or approved by the manufacturer.
- If the protective devices of the unit are bypassed.
- If maintenance and cleaning intervals are not adhered to.

Depending on the work, always adhere to additional relevant safety instructions. The safety instructions can be found in the corresponding chapter of these instructions.

- ➔ "4.1 Safety information for assembly" (page 13).
- ➔ "5.1 Safety information for use" (page 25).
- ➔ "6.1 Safety information for cleaning" (page 40).
- ➔ "7.1 Safety information for service work" (page 41).
- ➔ "8.1 Safety information for disassembly" (page 47).

2. Product information

2.1 Functional principle



The pump (F) transports liquid fuel from the tank (D) via an intermediate storage tank (E) into the evaporation chamber (C). In the evaporation chamber, the fuel is heated to boiling point by a heating unit and evaporates. The resulting gases flow through slots in the fire bar (B). The red heat element (A) ignites the fuel vapours, which burn up a few millimetres above the fire bar.

The microprocessor (G) controls the processes (e.g. pump flow rate, flame ignition).

The unit takes the supply air it needs for combustion from the ambient air. The fuel gives off almost no odour and leaves almost no residue during combustion. Steady combustion creates a calm, bright flame pattern.

By interrupting the fuel supply to the steam generator, the firing process can be stopped quickly and safely. After the firing process is terminated, fans cool the heated parts inside the unit.

2.2 Material

This unit is a decorative fireplace for liquid fuels.

The unit consists of the following materials:

- Steel.
- Galvanised steel.
- Tempered glass.
- Aluminium.

The surface of the top plate is sealed with a powder coating.

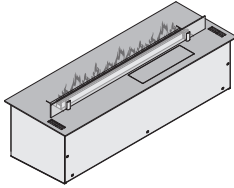
2.3 Protective devices

- Glass panel or glass panes
- System for flame monitoring
- Sensors with switch-off function:
 - Tank temperature
 - Housing temperature
 - Fire bar temperature
 - Pump capacity
 - Unit angle
 - Motion sensor
 - Leakage sensor
- Sealed housing around the fuel pump
- Fans below the ventilation slots.
- Automatic fuel return to the tank in case of malfunctions.

2.4 Models

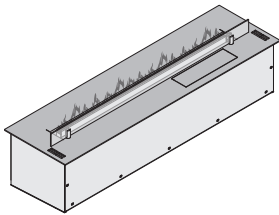
2.4.1 LINE

2.4.1 / 1



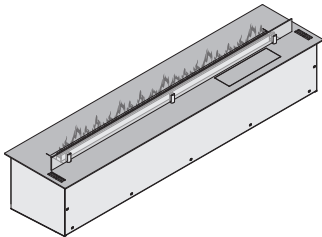
LINE 800

2.4.1 / 2



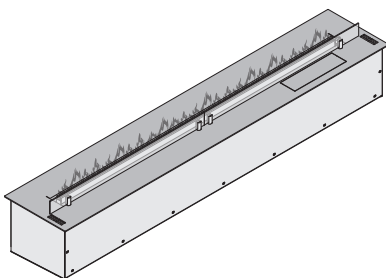
LINE 1000

2.4.1 / 3



LINE 1200

2.4.1 / 4

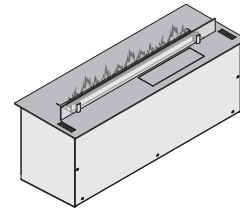


LINE 1500

2.4.2 LINE+

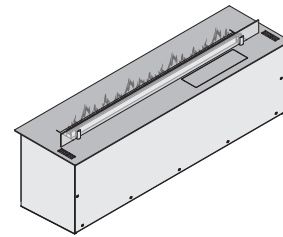
Versions with larger tank

2.4.2 / 1



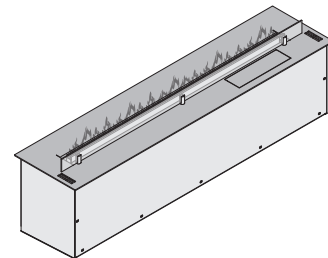
LINE+ 800

2.4.2 / 2



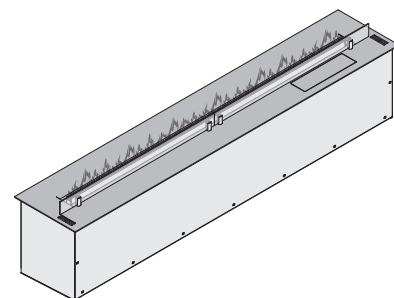
LINE+ 1000

2.4.2 / 3



LINE+ 1200

2.4.2 / 4

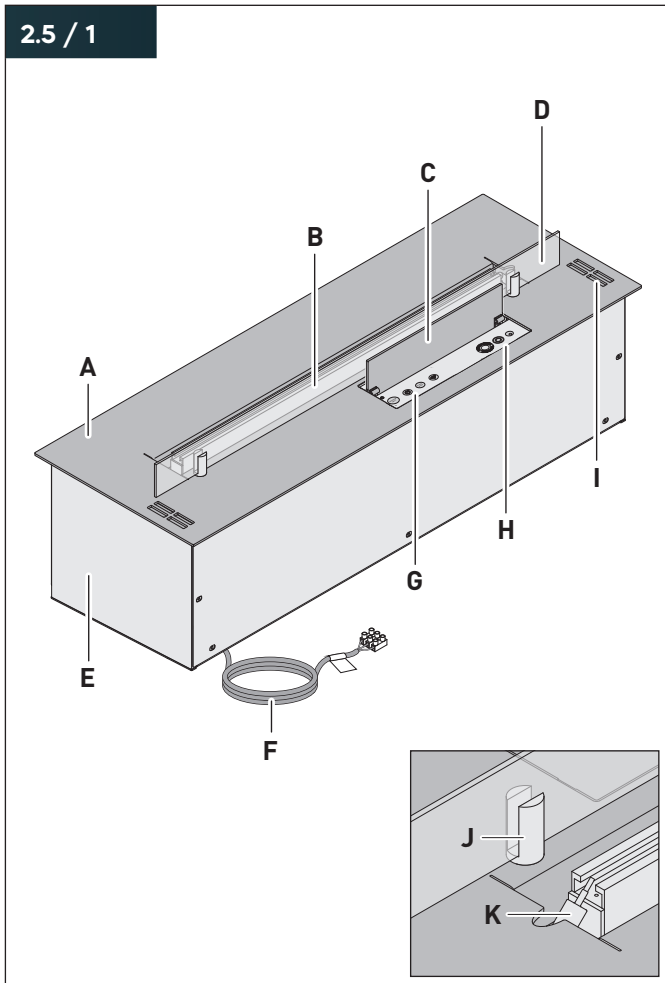


LINE+ 1500

Product information

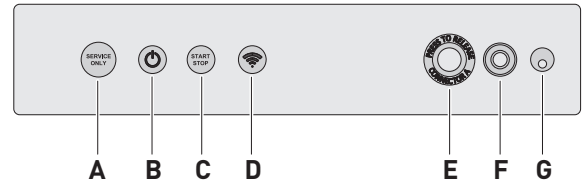
2.5 Product overview

2.5 / 1



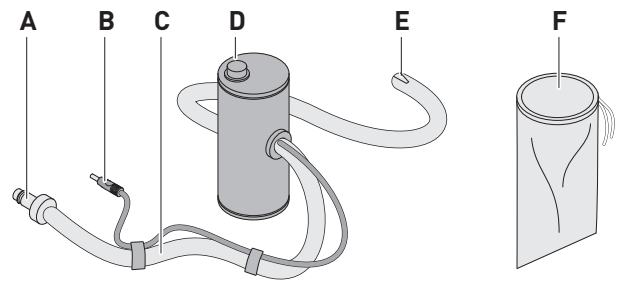
- A** Top plate
- B** Fire bar
- C** Control panel cover with type plate
- D** Glass panel
- E** Fuel tank (inside)
- F** Power connection
- G** Control panel
- H** Fuel pump connection
- I** Ventilation slots
- J** Support for glass panel
- K** Red heat element

2.5 / 2



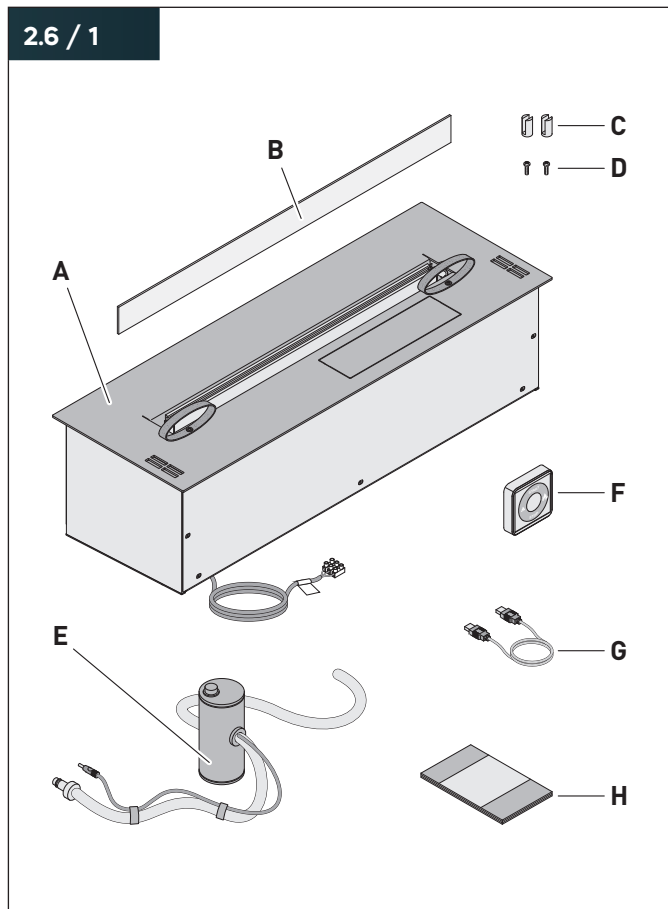
- A** Service USB input
- B** Button: Switching on and off
- C** Button: Igniting and extinguishing flame
- D** Button: WLAN connection
- E** Button: Fuel pump release
- F** Fuel pump connection
- G** Fuel pump power connection

2.5 / 3



- A** Hose coupling
- B** Power plug
- C** Pressure hose
- D** Pump button
- E** Suction hose
- F** Pump protective cover

2.6 Scope of delivery



- A** Ethanol burner (with carrying straps)
- B** Glass panel¹
- C** Supports for glass panel¹
- D** Screws for supports¹
- E** Fuel pump
- F** Remote control
- G** USB cable (service)
- H** Assembly and operating manual

¹ Quantity based on model:

- LINE / LINE+ 800: 1 glass panel, 2 supports.
- LINE / LINE+ 1000: 1 glass panel, 2 supports.
- LINE / LINE+ 1200: 1 glass panel, 3 supports.
- LINE / LINE+ 1500: 2 glass panels, 4 supports.

Optional

- Glass panes²
 - "10.1 Glass panes" (page 50).
 - Decorative wood
 - Decorative stones
 - "10.2 Decorative materials" (page 50).
 - Installation boxes
 - "10.3 Installation boxes" (page 52).
- ² Depending on the installation type, the installation of glass panes may be mandatory.

Product information

2.7 Technical data

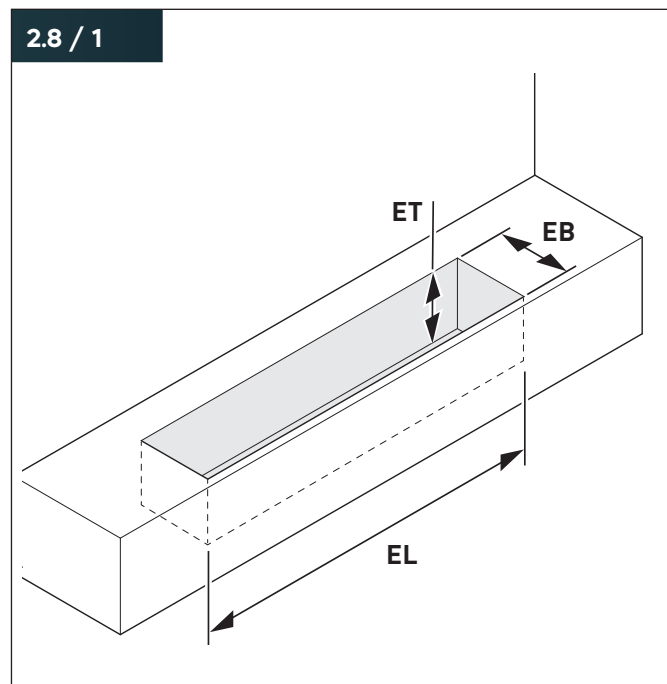
LINE	800	1000	1200	1500
Fuel tank volume	4.3 l	5.5 l	6.8 l	8.6 l
Weight	24.1 kg	27.5 kg	33.0 kg	39.5 kg
Max. firing time	9 h	10 h	11 h	11 h
Max. thermal output	4.4 kW	7.0 kW	9.4 kW	13.0 kW
Room volume min.	44 m ³	70 m ³	94 m ³	130 m ³
Air exchange rate	1 room volume per hour			
Flame height	6 levels			
Power supply	230 V / 50 Hz			

LINE+	800	1000	1200	1500
Fuel tank volume	13.4 l	17.2 l	21.0 l	26.8 l
Weight	29.0 kg	36.0 kg	43.2 kg	51.6 kg
Max. firing time	32 h	32 h	32 h	32 h
Max. thermal output	4.4 kW	7.0 kW	9.4 kW	13.0 kW
Room volume min.	44 m ³	70 m ³	94 m ³	130 m ³
Air exchange rate	1 room volume per hour			
Flame height	6 levels			
Power supply	230 V / 50 Hz			

Information on the model (e.g. type, inspection number, year of manufacture) can be found on the type plate.

➔ Figure 2.5 / 1 (page 8).

2.8 Installation dimensions



EL Length of installation opening
 EB Width of installation opening
 ET Depth of installation opening

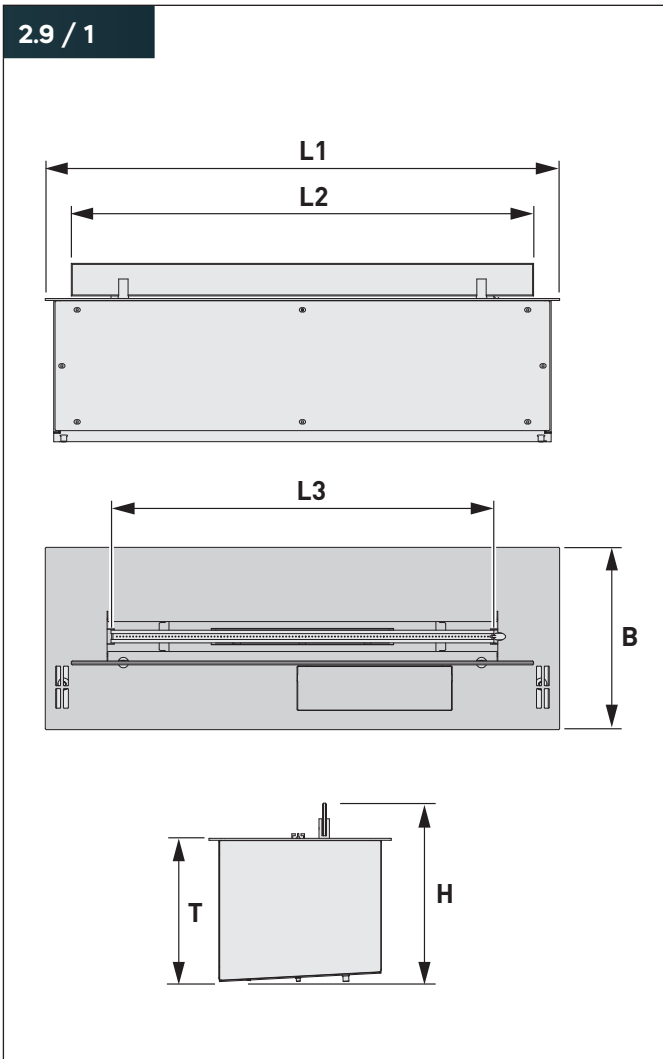
Dimensions (mm)	LINE 800	LINE 1000	LINE 1200	LINE 1500
	LINE+ 800	LINE+ 1000	LINE+ 1200	LINE+ 1500
EL	775	975	1175	1475
EB	260	260	260	260
ET	LINE	> 260	> 260	> 260
	LINE+	> 360	> 360	> 360

Installation dimensions of the installation boxes:

➔ "10.3 Installation boxes" (page 52).

2.9 Dimensions

2.9 / 1



- L1 Total length
- L2 Glass panel length
- L3 Fire bar length
- B Total width
- H Total height
- T Installation depth

Dimensions (mm)	LINE 800	LINE 1000	LINE 1200	LINE 1500
L1	790	990	1190	1490
L2	710	930	1110	1420
L3	600	800	1000	1300
B	280	280	280	280
H	274	274	274	274
T	220	220	220	220

Dimensions (mm)	LINE+ 800	LINE+ 1000	LINE+ 1200	LINE+ 1500
L1	790	990	1190	1490
L2	710	930	1110	1420
L3	600	800	1000	1300
B	280	280	280	280
H	359	359	359	359
T	305	305	305	305

Installation box dimensions:

- "10.3 Installation boxes" (page 52).

3. Type of fuel

3.1 Information on the type of fuel

Bioethanol is an alcohol produced exclusively from biomass or the biodegradable part of waste. It is a colourless liquid that only produces little smoke or soot during combustion.

Bioethanol is a hazardous material (Class ADR 3 PG II, UN 1170) and highly flammable. It must be handled with care.

Bioethanol is not intended for consumption. A doctor must be consulted immediately if the fuel is swallowed. The label on the fuel container serves to identify the type of fuel.

3.2 Permissible types of fuel

Only bioethanol (purity level 96.6%) is approved for use. The use of or mixing with other fuels (e.g. petrol) is not permitted.

- § Burning prohibited fuels is a criminal offence in many countries, e.g.:
- In Germany as a violation of the Federal Immission Control Act (BImSchG).
 - In Switzerland as a violation of the Air Pollution Control Ordinance (APCO).

The use of scented oils, glitter or similar substances is not permitted as these will damage the unit:

- They will damage the evaporation chamber.
- They will gum up the sensors of the unit.

3.3 Fuel storage

Storage in buildings:

- Never near highly flammable or explosive substances.
- Never in the immediate vicinity of heat sources (e.g. radiators).
- In a cool, dry and well-ventilated room.
- Protected from light in tightly sealed containers.
- Out of reach of children.
- Only household quantities (e.g. in Germany 5 litres are permissible in living spaces, max. 20 litres of highly flammable substances in cellars).

4. Assembly

4.1 Safety information for assembly

⚠ WARNING!

Danger due to non-adherence to assembly instructions!

Incorrect assembly of the unit may lead to severe injuries. This chapter contains important information for safe assembly of the unit.

- ▶ Carefully read this chapter prior to assembly.
- ▶ Adhere to the safety information.
- ▶ Perform the assembly work as described.

Only qualified personnel may assemble the unit. Electrical work may only be performed by qualified electricians.

⇒ "1.2.3 Qualified personnel" (page 4).

The owner is responsible for meeting the requirements for the installation site.

⇒ "1.2.2 Owner" (page 4).

To prevent danger, always adhere to the following requirements:

- Do not store or deposit flammable materials or fluids on or near the unit.
- Do not position flammable objects (e.g. furniture, carpets, flowers) in the immediate vicinity of the unit.
- Ensure that the unit is undamaged and in perfect condition prior to assembly.
- Before assembling the unit, ensure that the prerequisites for assembly and the requirements for the installation site are met.

4.2 Requirements for assembly

The ethanol burner must be installed and operated according to the valid standards and directives. Note the following documents and/or regulations prior to assembly:

- Technical documents of the product.
- Local fire safety regulations issued by the responsible authorities.
- Provisions under building law.
- Relevant state building and firing installation regulations.
- Local legal requirements and regulations for the installation and operation of ethanol burners.

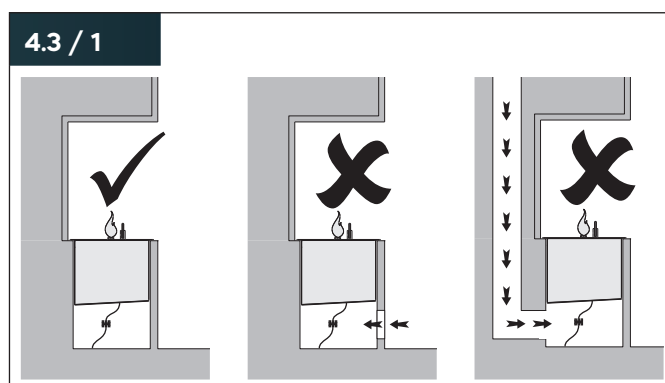
4.3 Requirements for the installation space

- Installation is only permitted in enclosed buildings. Any installation outside an enclosed building requires authorisation by the manufacturer.
- The installation space must be suitable for safe use.
- The installation space must be dry.
- The installation space must have the minimum room volume.
 - "2.7 Technical data" (page 10).
- A sufficient supply of fresh air must be ensured. Take the required air exchange rate into account.
 - "2.7 Technical data" (page 10).
- The temperature in the installation space must be at least 10 °C during operation.

The unit must be protected against freezing, moisture and weather factors (e.g. air draughts).
- The installation surface must have sufficient load-bearing capacity, keeping the weight of the unit in mind.
 - "2.7 Technical data" (page 10).
- The installation surface must be level and horizontal.
- The building's electrical system must have proper earthing.
- A connection option for the power supply must be available on site in the installation area.
- The required mains voltage must be taken into account.
 - "2.7 Technical data" (page 10).
- The leads of the on-site supply cable must have a diameter of at least 1.5 mm².
- An all-pole disconnecting device must be provided on site.

The installation opening must meet the following requirements:

- The unit may only be installed in housings and structures made of non-flammable materials.
- The unit can be easily removed for maintenance.



- The structure under the unit must be closed.

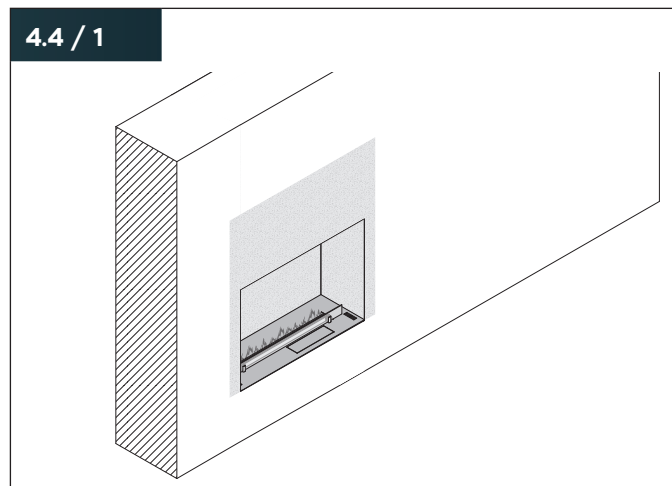
For other special requirements (e.g. material regulations, required deflectors):

- ▶ Contact the manufacturer or a specialised company.

Assembly

4.4 Installation types

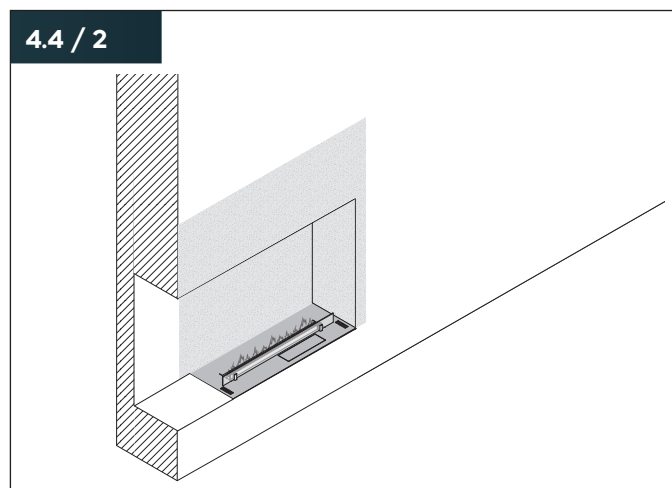
Wall installation, open on one side



Adhere to the following requirements for installation in a wall with an opening on one side:

- The three closed walls and the ceiling of the installation recess must be lined with non-flammable material.
➔ “4.5 Safety distances” (page 16).
- The front wall must be lined with non-flammable material above and to the side of the installation recess.
➔ “4.5 Safety distances” (page 16).

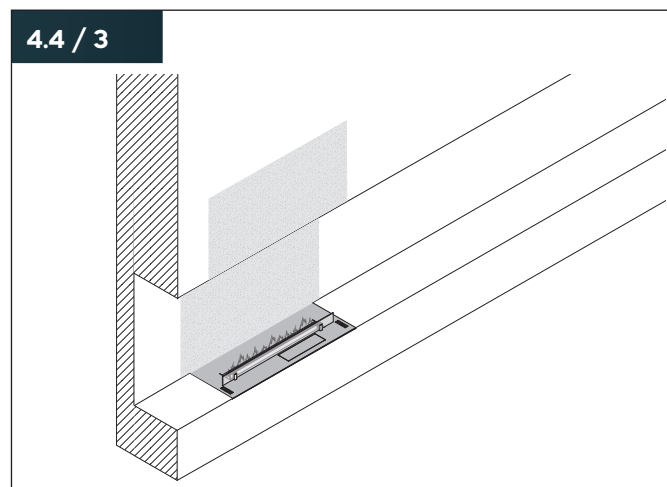
Wall installation, open on two sides



Adhere to the following requirements for installation in a wall with an opening on two sides:

- The two closed walls and the ceiling of the installation recess must be lined with non-flammable material.
➔ “4.5 Safety distances” (page 16).
- ➔ The front, rear and side walls must be lined with non-flammable material above and to the side of the installation recess.
- ➔ “4.5 Safety distances” (page 16).

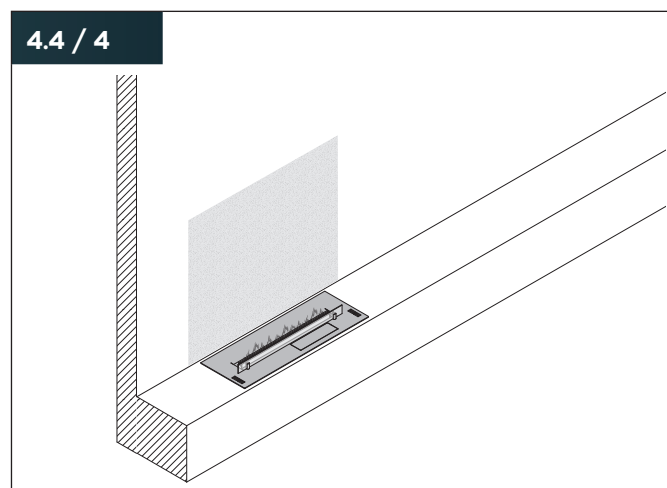
Wall installation, open on three sides



Adhere to the following requirements for installation in a wall with an opening on three sides:

- The back wall and the ceiling of the installation recess must be lined with non-flammable material.
➔ “4.5 Safety distances” (page 16).
- The front wall must be lined with non-flammable material above the installation recess.
➔ “4.5 Safety distances” (page 16).

Installation in front of the wall

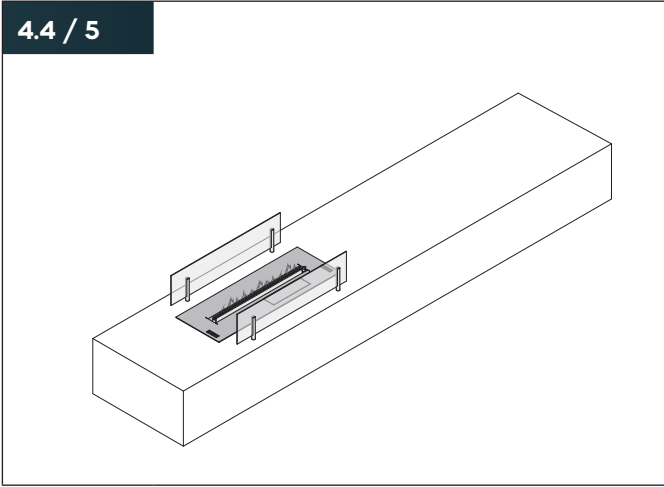


Adhere to the following requirements for installation in front of the wall:

- The back wall must be lined with non-flammable material above the top plate.
➔ “4.5 Safety distances” (page 16).

Island installation

4.4 / 5

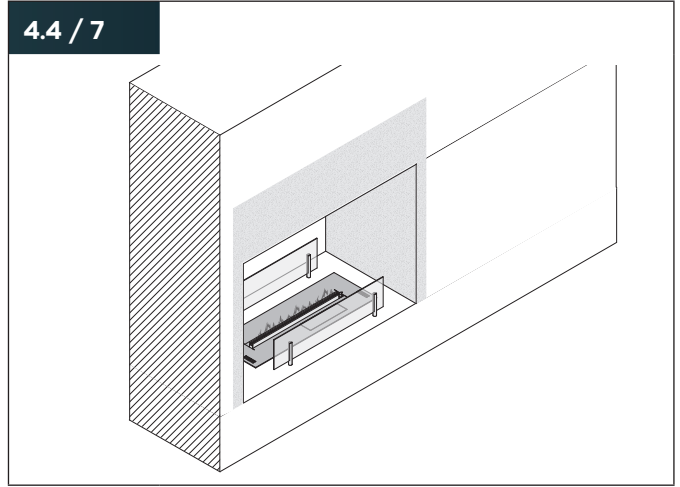


Adhere to the following requirements for island installation:

- Instead of the glass panel, glass panes must be fitted on both sides next to the fire bar.
 - ➔ “10.1 Glass panes” (page 50).
 - ➔ “4.11 Installing the glass panes” (page 22).
- Decorative wood or decorative stones must not be used.

Tunnel installation

4.4 / 7

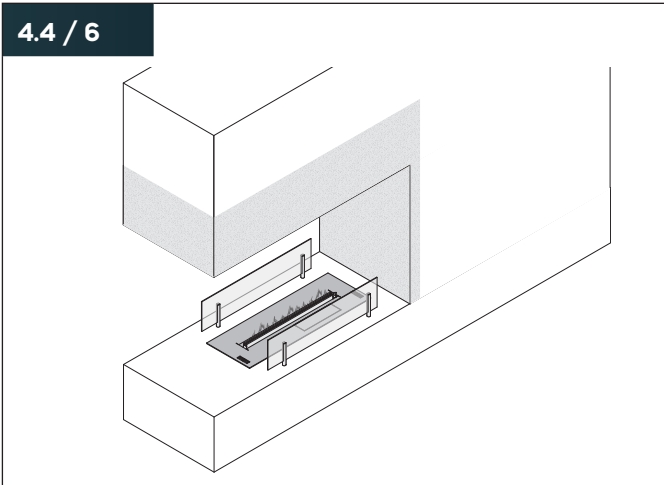


Adhere to the following requirements for tunnel installation:

- The two closed walls and the ceiling of the installation recess must be lined with non-flammable material.
 - ➔ “4.5 Safety distances” (page 16).
- The front and back walls must be lined with non-flammable material above and to the side of the installation recess.
 - ➔ “4.5 Safety distances” (page 16).
- Instead of the glass panel, glass panes must be fitted on both sides next to the fire bar.
 - ➔ “10.1 Glass panes” (page 50).
 - ➔ “4.11 Installing the glass panes” (page 22).
- Decorative wood or decorative stones must not be used.

Room divider installation

4.4 / 6



Adhere to the following requirements for room divider installation:

- The closed wall and the ceiling of the installation recess must be lined with non-flammable material.
 - ➔ “4.5 Safety distances” (page 16).
- The front, rear and side walls must be lined with non-flammable material above and to the side of the installation recess.
 - ➔ “4.5 Safety distances” (page 16).
- Instead of the glass panel, glass panes must be fitted on both sides next to the fire bar.
 - ➔ “10.1 Glass panes” (page 50).
 - ➔ “4.11 Installing the glass panes” (page 22).
- Decorative wood or decorative stones must not be used.

Assembly

4.5 Safety distances

⚠ WARNING!

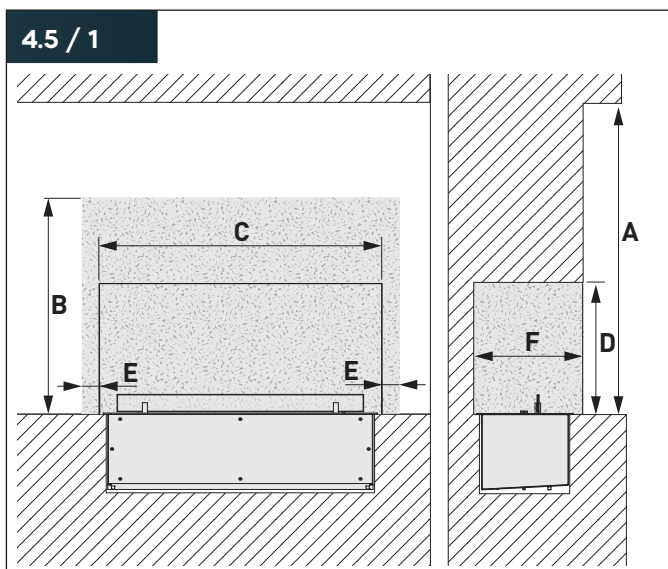
Risk of fire resulting from non-adherence to safety distances!

Using the unit creates very high temperatures. Sensitive items near the unit may become damaged or deformed, may melt or catch fire.

- ▶ Ensure that the necessary safety distances are observed at all times.
- ▶ Ensure that flammable objects and materials (e.g. furniture, textiles) are located at a sufficient distance from the unit.

Wall installation

4.5 / 1

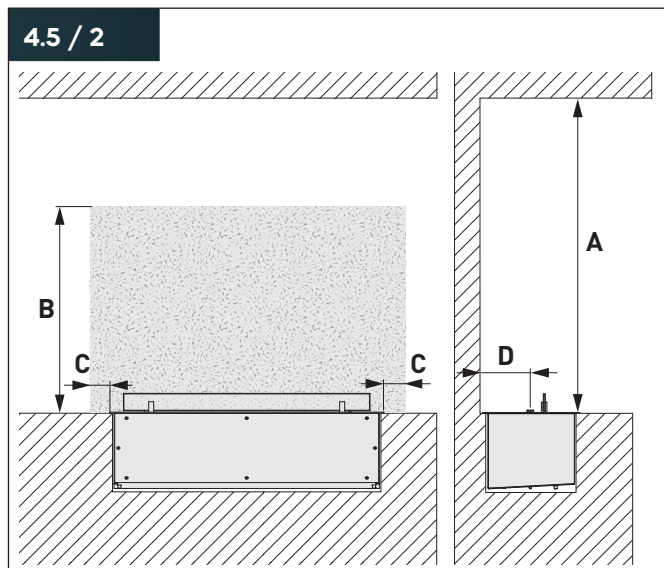


- A Distance top plate - room ceiling
- B Height of non-flammable material on front wall
- C Installation recess length
- D Installation recess height
- E Length of non-flammable material on the front wall
- F Installation recess width

Dimensions (mm)	LINE 800 LINE+ 800	LINE 1000 LINE+ 1000	LINE 1200 LINE+ 1200	LINE 1500 LINE+ 1500
A	> 1500	> 1500	> 1500	> 1500
B	> 1000	> 1000	> 1000	> 1000
C	> 800	> 1000	> 1200	> 1500
D	> 400	> 400	> 400	> 400
E	> 50	> 50	> 50	> 50
F	> 290	> 290	> 290	> 290

Installation in front of the wall

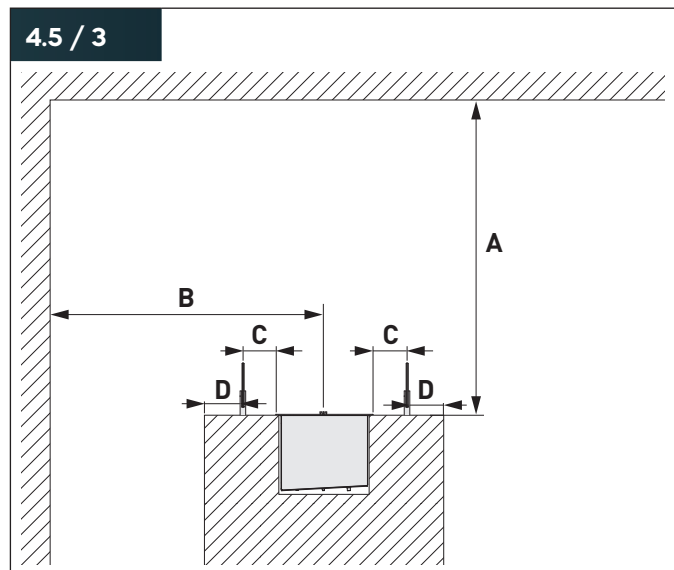
4.5 / 2



- A Distance top plate - room ceiling
- B Height of non-flammable material on the back wall
- C Length of non-flammable material on the back wall (distance to the left and right of the top plate)
- D Distance centre of fire bar - back wall

Dimensions (mm)	LINE 800 LINE+ 800	LINE 1000 LINE+ 1000	LINE 1200 LINE+ 1200	LINE 1500 LINE+ 1500
A	> 1500	> 1500	> 1500	> 1500
B	> 1000	> 1000	> 1000	> 1000
C	> 50	> 50	> 50	> 50
D	> 145	> 145	> 145	> 145

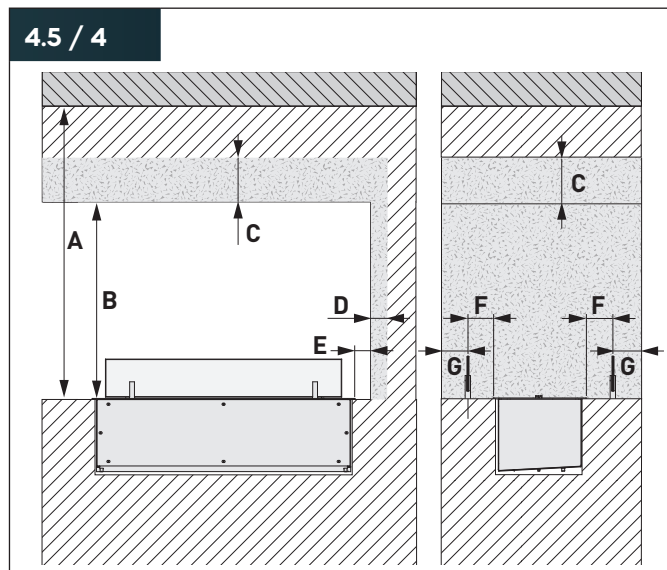
Island installation



- A** Distance top plate - room ceiling
- B** Distance centre of fire bar - walls
- C** Distance top plate - glass panes
- D** Distance glass panes - outer edge

Dimensions (mm)	LINE 800 LINE+ 800	LINE 1000 LINE+ 1000	LINE 1200 LINE+ 1200	LINE 1500 LINE+ 1500
A	> 1500	> 1500	> 1500	> 1500
B	> 1000	> 1000	> 1000	> 1000
C	> 12 < 50	> 12 < 50	> 12 < 50	> 12 < 50
D	> 12	> 12	> 12	> 12

Room divider installation



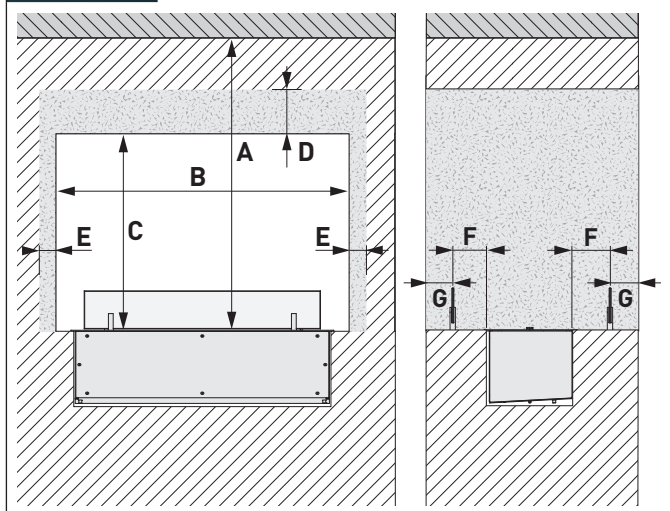
- A** Distance top plate - room ceiling
- B** Installation recess height
- C** Height of non-flammable material on front, side and back wall
- D** Length of non-flammable material on front and back wall
- E** Distance top plate - glass panes
- F** Distance glass panes - outer edge

Dimensions (mm)	LINE 800 LINE+ 800	LINE 1000 LINE+ 1000	LINE 1200 LINE+ 1200	LINE 1500 LINE+ 1500
A	> 1500	> 1500	> 1500	> 1500
B	> 400	> 400	> 400	> 400
C	B + C > 1000	B + C > 1000	B + C > 1000	B + C > 1000
D	> 50	> 50	> 50	> 50
E	> 5	> 5	> 5	> 5
F	> 12 < 50	> 12 < 50	> 12 < 50	> 12 < 50
G	> 12	> 12	> 12	> 12

Assembly

Tunnel installation

4.5 / 5



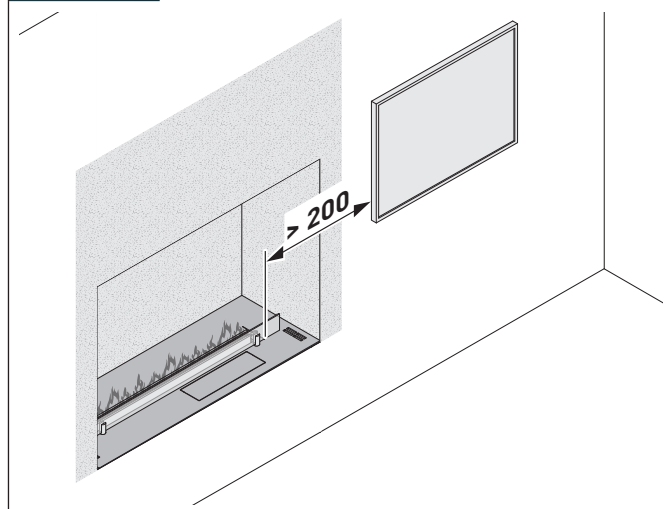
- A Distance top plate - room ceiling
- B Installation recess length
- C Installation recess height
- D Height of non-flammable material on front and back wall
- E Length of non-flammable material on front and back wall
- F Distance top plate - glass panes
- G Distance glass panes - outer edge

Dimensions (mm)	LINE 800 LINE+ 800	LINE 1000 LINE+ 1000	LINE 1200 LINE+ 1200	LINE 1500 LINE+ 1500
A	> 1500	> 1500	> 1500	> 1500
B	> 800	> 1000	> 1200	> 1500
C	> 400	> 400	> 400	> 400
D	C + D > 1000	C + D > 1000	C + D > 1000	C + D > 1000
E	> 50	> 50	> 50	> 50
F	> 12 < 50	> 12 < 50	> 12 < 50	> 12 < 50
G	> 12	> 12	> 12	> 12

Safety distances from televisions

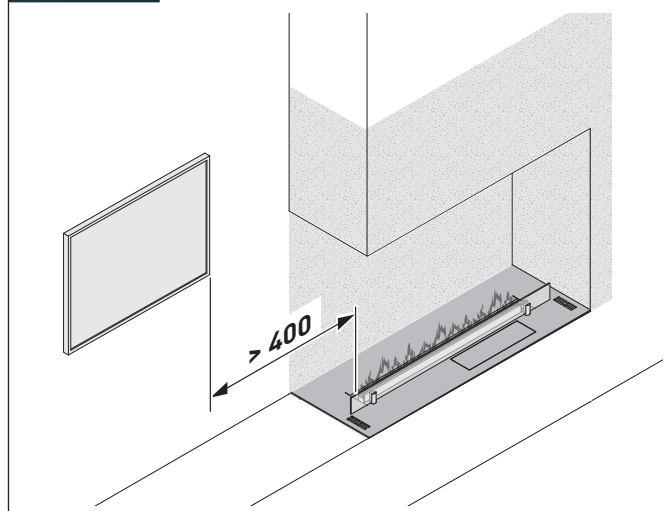
If the TV is installed on the front wall of the installation recess:

4.5 / 6



If the TV is installed on the back wall of the installation recess:

4.5 / 7

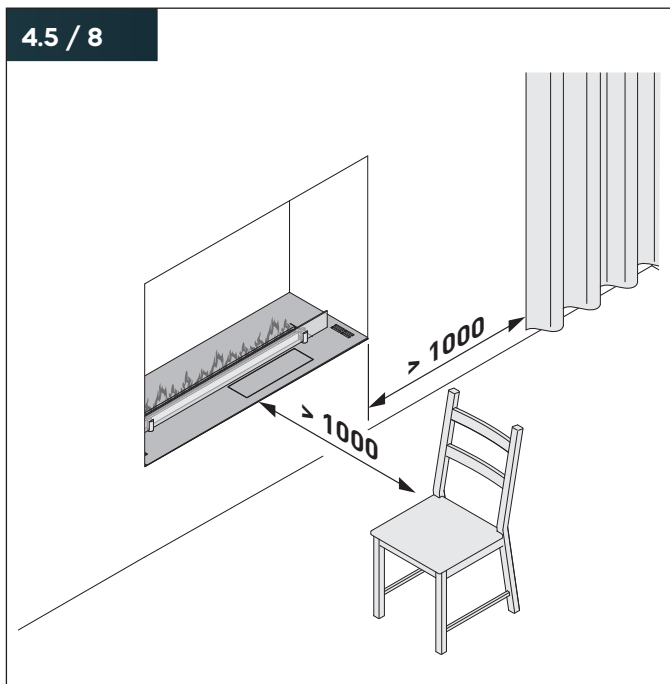


If the TV is installed above the installation recess:

- ▶ Contact the manufacturer or a specialised company.
- ➡ "11. Combination with televisions" (page 72).

Safety distances from objects

4.5 / 8



4.6 Preparation for assembly

- ▶ Familiarise yourself with the unit and the associated documents:
 - Assembly and operating manual.
 - Unit variant.
 - Installation site.
 - Installation type.
 - Accessories.
- ▶ Prepare the necessary materials and tools:
 - Screwdriver (Phillips).
 - Spirit level.
 - Measuring tape.
- ▶ Keep the installation site free of objects which may be damaged or destroyed during assembly.

4.7 Transporting the unit

⚠ WARNING!

Risk of injury caused by heavy loads!

The size and weight of the unit make plenty of strength necessary during installation. Incorrect lifting or the unit tipping may lead to severe injuries.

- ▶ Adhere to the transport labels on the packaging.
- ▶ Use suitable transport equipment (e.g. lift truck, hand truck with lashing strap).
- ▶ Secure the unit against sliding, tipping and falling.
- ▶ Only lift the unit at the points intended for this purpose.
- ▶ Have at least two people present to install the unit. Ensure a stable position during installation.
- ▶ Ensure that no additional people remain in the work area.

⚠ ATTENTION!

Risk of material damage caused by improper transport!

Rough handling may damage sensitive components and surfaces. Use suitable transport equipment (e.g. lift truck, hand truck with lashing strap).

- ▶ Only position the transport equipment at the marked points on the packaging.
- ▶ Only transport the unit in a standing or slightly inclined position leaning on the rear sides.
- ▶ Move the unit with care and caution.

- ▶ Transport the unit to the installation site using the carrying straps.
- ▶ Position the unit next to the installation opening.

4.8 Unpacking the unit

- ▶ Check the packaging for damage.
- ▶ Remove the packaging.
- ▶ Check the scope of delivery for completeness and ensure that there is no damage.
 - ➔ "2.6 Scope of delivery" (page 9).

In the event of damage or incompleteness:

- ▶ Contact the manufacturer.

If the packaging is no longer required:

- ▶ Properly dispose of the packaging material.
 - ➔ "9.1 Disposing of the packaging" (page 48).

Assembly

4.9 Installing the unit

- ▶ Check that the installation site meets all requirements.
 - ➔ "4.3 Requirements for the installation space" (page 13).

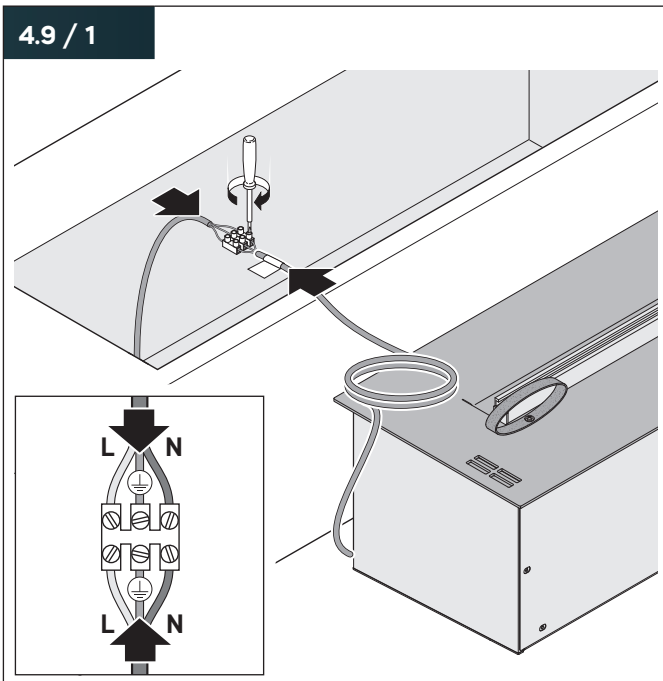
⚠ WARNING!

Risk of death by electric shock!

Touching live parts can cause electric shock, burns or death.

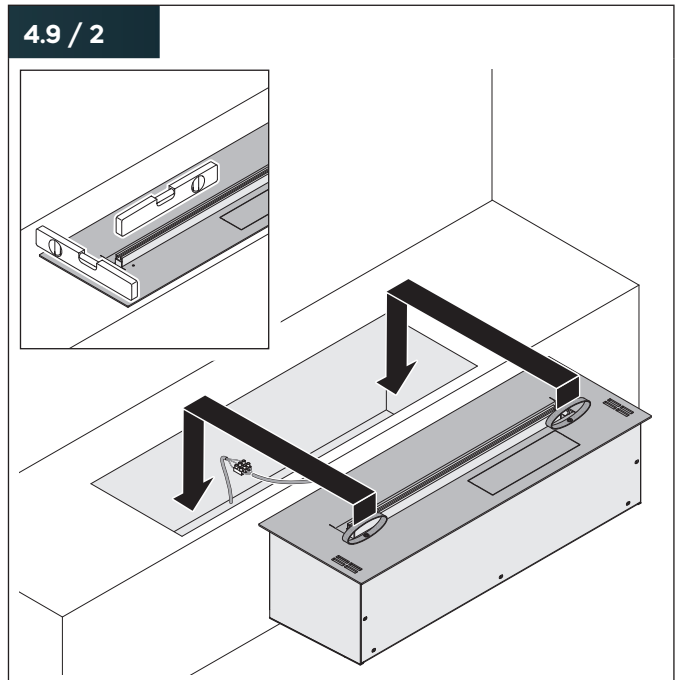
- ▶ Ensure that the power supply is and remains interrupted.
- ▶ Interrupt the power supply (e.g. by removing the fuse).
- ▶ Connect the power connection of the unit to the supply line on site.

4.9 / 1



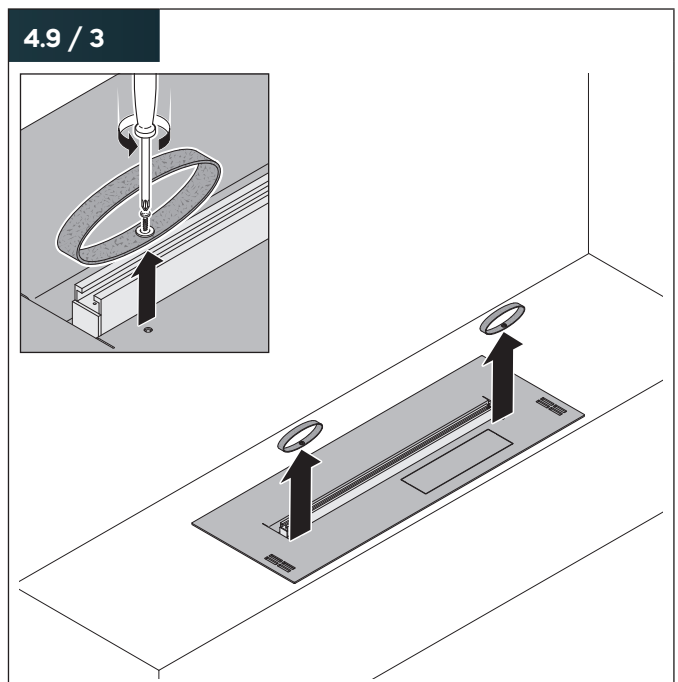
- ▶ Connect the power connection of the unit to the supply line on site.

4.9 / 2



- ▶ Use the carrying straps to insert the unit in the installation recess.
- ▶ Ensure the following:
 - The power cable is not kinked or crushed.
 - The control panel faces the visible side.
 - The top plate of the unit is aligned horizontally.
- ▶ Re-establish the power supply.

4.9 / 3



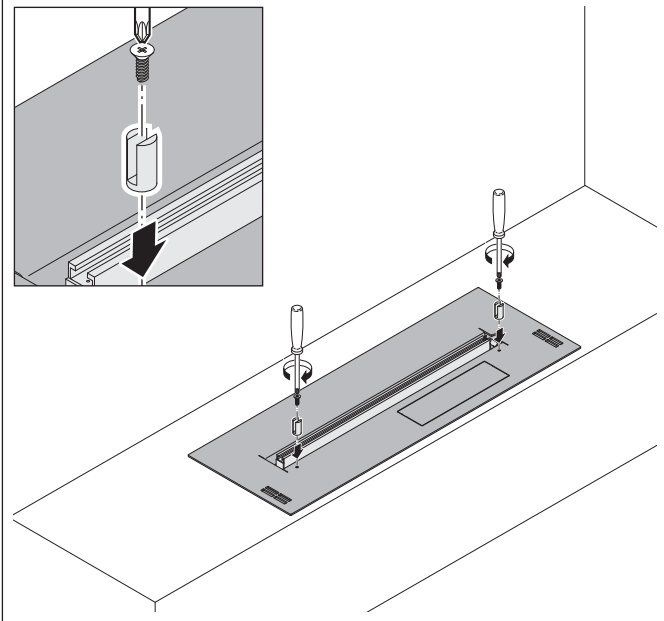
- ▶ Use a screwdriver to disconnect the carrying straps from the top plate.

4.10 Installing the glass panel

For the following installation types, glass panes must be fitted instead of the glass panel:

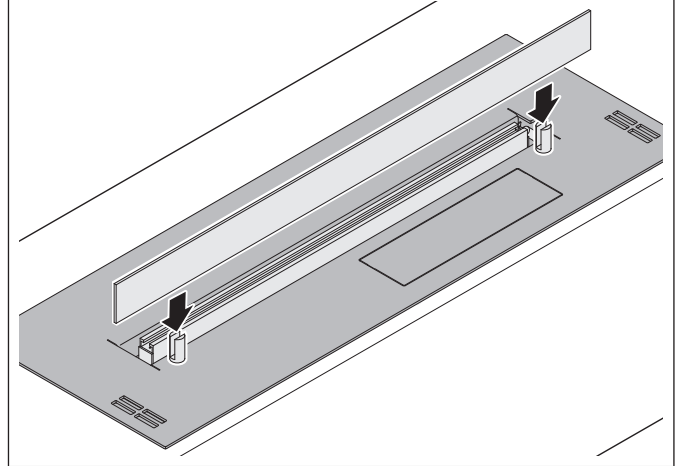
- Island installation.
- Room divider installation.
- Tunnel installation.
- ➔ “4.4 Installation types” (page 14).
- ➔ “4.11 Installing the glass panes” (page 22).

4.10 / 1



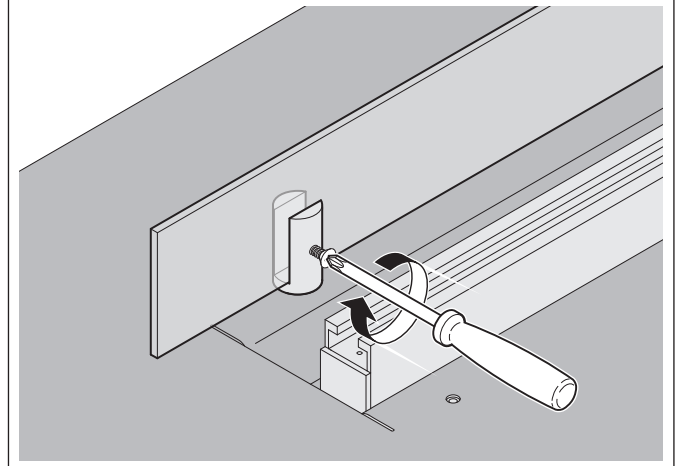
- ▶ Ensure that the fastening screws in the holes on the side of the supports point to the fire bar.
- ▶ Screw the supports for the glass panel into the threads on the visible side of the top plate.

4.10 / 2



- ▶ Insert the glass panel into the supports.
- ▶ Align the glass panel so that it is centred.

4.10 / 3



- ▶ Carefully tighten the fastening screws in the supports.

Assembly

4.11 Installing the glass panes

Glass panes must be fitted for the following installation types:

- Island installation.
 - Room divider installation.
 - Tunnel installation.
- ➔ “4.4 Installation types” (page 14).

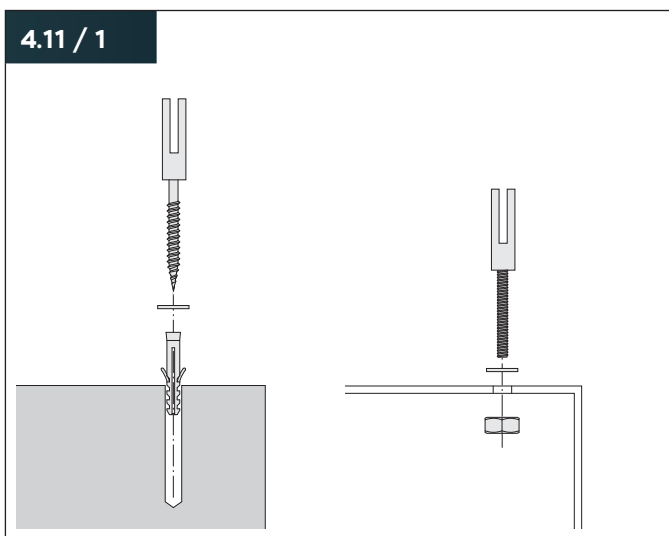
▶ Check the delivered glass panes for completeness and ensure that there is no damage.

➔ “10.1 Glass panes” (page 50).

▶ Check whether the safety distances for installing glass panes are present.

➔ “4.5 Safety distances” (page 16).

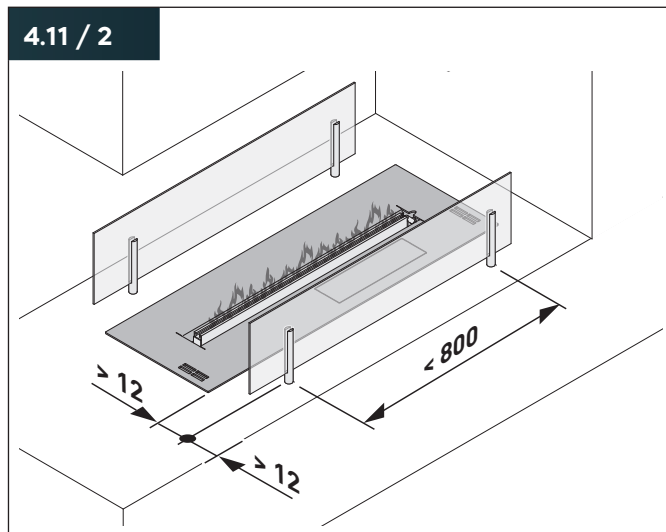
4.11 / 1



▶ Depending on the installation opening, use:

- Threaded rods with dowels (supplied with the glass panes).
- Threaded rods with nuts (supplied with the glass panes).

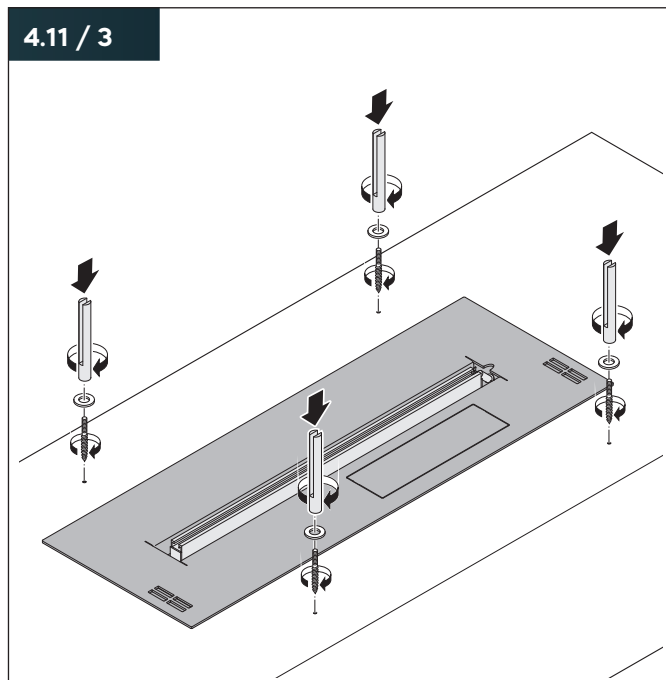
4.11 / 2



▶ Make holes for the threaded rods as follows:

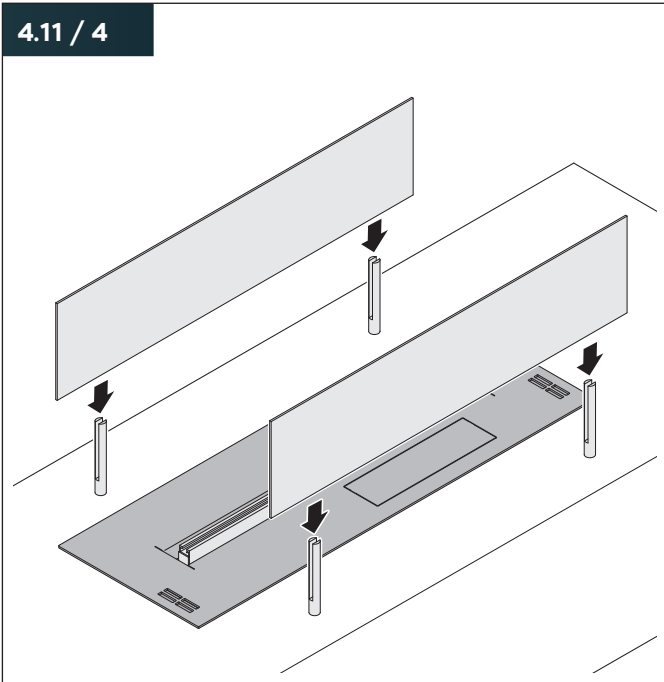
- Parallel to the long side of the top plate.
- The holes form the corners of a rectangle.
- Distance from the top plate > 12 mm.
- Distance from the edge of the installation structure > 12 mm.
- Distance between the holes on the long side < 800 mm.

4.11 / 3



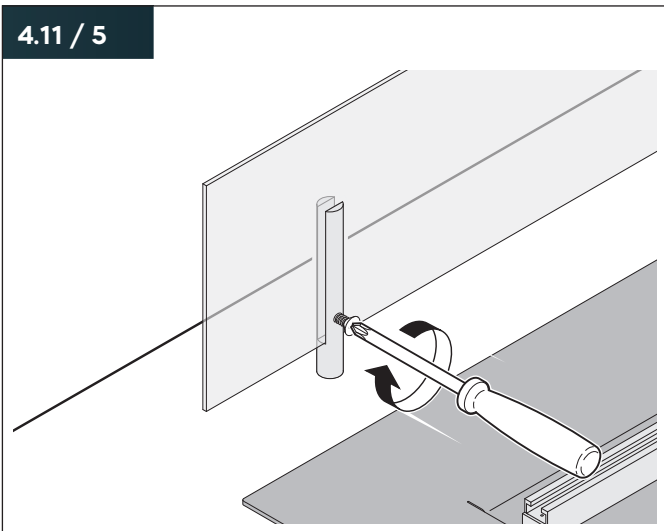
- ▶ Fasten the threaded rods in the holes.
- ▶ Ensure that the fastening screws in the holes on the side of the supports point to the fire bar.
- ▶ Position the washers on the threaded rods.
- ▶ Position the supports on the threaded rods.

4.11 / 4



- ▶ Insert the glass panes in the supports.
- ▶ Align the glass panes so that they are centred.

4.11 / 5



- ▶ Carefully tighten the fastening screws in the supports.

4.12 Checking the installation

- ▶ Ensure that the necessary protective devices are functional.
 - “2.3 Protective devices” (page 6).
- ▶ Ensure that the necessary safety distances are observed.
 - “4.5 Safety distances” (page 16).

4.13 Instructing the owner

Prior to initial use, the qualified personnel performing installation must instruct the owner in the following matters:

- Instruction on the intended use of the unit.
- Explanation of permissible types of fuel and the consequences of using unintended types of fuel.
- Explanation of the effects and operation of the unit, particularly taking into account safety-relevant actions.
- Explanation of the necessity of cleaning and servicing for safe, environmentally friendly operation.
- Pointing out that the unit and the installation situation may not be modified.
- Information about the owner’s responsibility and tasks.
 - “1.2.2 Owner” (page 4).

4.14 Performing initial start-up

The initial start-up must be performed by qualified personnel.
⇒ "1.2.3 Qualified personnel" (page 4).

Before the unit is used for the first time, the requirements for safe and intended use must be met:

- The unit is fully installed and connected. Its proper installation has been checked.
 - ➔ "4.12 Checking the installation" (page 23).
- The unit is dirt-free, all cleaning agent has been removed.
 - ➔ "6. Cleaning" (page 40).

Preparation:

- ▶ Ensure sufficient fresh air supply.
- ▶ Ensure that no flammable materials or objects are located on the unit or near the unit.

How to proceed:

- ▶ Fill the fuel tank of the unit with fuel.
 - ➔ "5.5 Filling the unit" (page 32).
- ▶ Start firing mode.
 - ➔ "5.6.2 Starting firing mode" (page 35).
- ▶ Regulate the flame.
 - ➔ "5.6.3 Controlling firing mode" (page 35).
- ▶ End firing mode.
 - ➔ "5.6.4 Ending firing mode" (page 36).

While the initial firing mode is active:

- ▶ Ensure that nobody touches the unit.
- ▶ Ensure that no objects are placed on the unit.
- ▶ Thoroughly ventilate the installation room and all connected rooms.

5. Use

5.1 Safety information for use

⚠ WARNING!

Danger due to non-adherence to operating instructions!

Incorrect use of the unit may lead to death or severe injuries. This chapter contains important information for safe use of the unit.

- ▶ Carefully read this chapter.
- ▶ Adhere to the safety information.
- ▶ Only use the unit as described here.

Only allow instructed users to use the unit.
⇒ "1.2.4 Users" (page 4).

To prevent danger during use of the unit, adhere to the following requirements at all times:

- Do not store or deposit flammable materials or fluids on or near the unit.
- Do not position flammable objects (e.g. furniture, carpets, flowers) in the immediate vicinity of the unit.
- The unit must be monitored during operation and after operation until it has fully cooled down.
- The unit may only be operated with the approved fuel.
 - ➔ "3.2 Permissible types of fuel" (page 12).
 - ➔ "2.7 Technical data" (page 10).
- The unit may only be operated with the glass panel or glass panes installed.

Keep the necessary safety distances at all times.
➔ "4.5 Safety distances" (page 16).

⚠ WARNING!

Danger of death by poisoning!

During firing mode, breathing air is removed from the room air. An insufficient supply of breathing air and fresh air can lead to headaches, nausea and dizziness and even loss of consciousness and death.

- ▶ Ensure that sufficient fresh air is supplied to the installation room during firing mode.

⚠ WARNING!

Risk of injury due to contact with hot surfaces!

Unit components (e.g. fire bar, red heat element, glass panel or glass panes) may become very hot during operation. Contact may lead to burns.

- ▶ Ensure that children do not stay near the hot unit. Children under the age of 8 and pets must be supervised at all times and must be kept away from the unit.
- ▶ Do not touch the unit or any components (e.g. glass panel or glass panes) during operation.

⚠ WARNING!

Risk of fire caused by incorrect air conditioner setting!

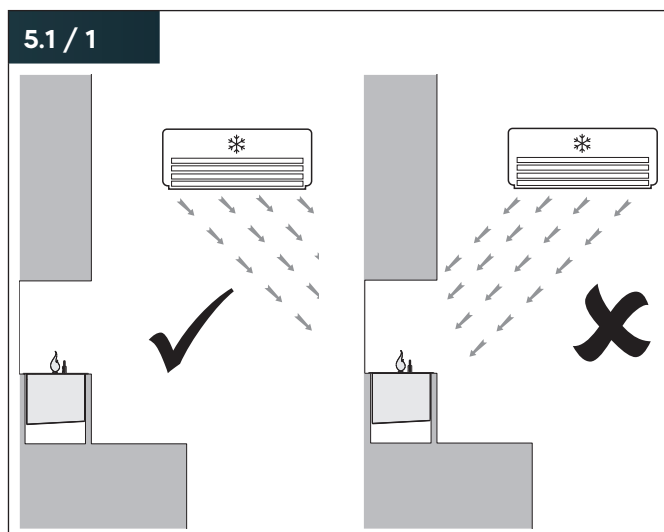
The airflow generated by an air conditioner may cause the following malfunctions of the unit:

- Significantly larger flame.
- Dirty combustion.
- Flame being extinguished.

Objects in the vicinity of the unit may catch fire and harmful substances may escape into the room air (e.g. soot, ethanol vapour).

If the unit is used at the same time as an air conditioner:

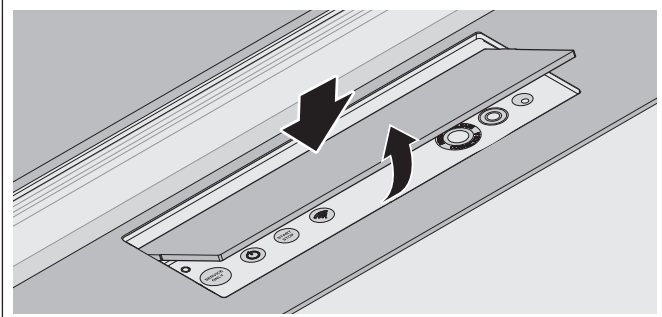
- ▶ Ensure that the air flow from the air conditioner does not flow to the unit.



Use

5.2 Presentation of the control panel

5.2 / 1



- ▶ Press the rear area of the control panel cover to open the control panel.

5.2 / 2



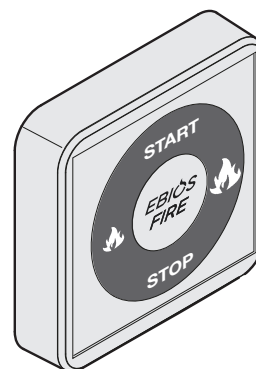
Button	Function
	Switching on and off
	Igniting and extinguishing flame
	Establishing the WLAN connection
	Releasing the fuel pump

Connection	Function
	Service USB input
	Fuel pump connection
	Fuel pump power connection

Each keystroke on the control panel is confirmed by a signal tone.

5.3 Presentation of the remote control

5.3 / 1



Button	Function
	Igniting the flame
	Extinguishing the flame
	Increasing the flame height
	Decreasing the flame height
	Control LED

Each keystroke on the remote control is confirmed by a signal tone and by red flashing of the control LED.

There is a magnet on the back of the remote control that can be used to attach the remote control to steel surfaces.

5.4 Operation by smartphone (optional)

5.4.1 Installing the ebios LINE app

The ebios LINE app can be installed on the following operating systems:

- Apple iOS (at least iOS 11.0).
- Android (at least Android 6.0).

- ▶ Download the ebios LINE app.
- ▶ Install the ebios LINE app.

5.4.2 Linking the unit to the smartphone

Only one smartphone at a time can be linked to the unit.

- ▶ Start the ebios LINE app.

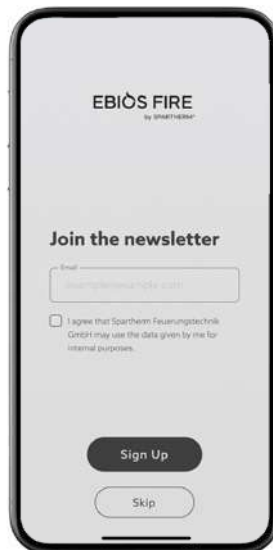
5.4.2 / 1



The “Find your fireplace” window opens on the smartphone.

- ▶ Click “Connect”.

5.4.2 / 2



The “Join the newsletter” window opens on the smartphone.

If you wish to subscribe to the newsletter:

- ▶ Enter your e-mail address.
- ▶ Click “Sign Up”.

If you do not wish to subscribe to the newsletter:

- ▶ Click “Skip”.

5.4.2 / 3



The “Initiate the setup network” window opens on the smartphone.



- ▶ Press the button to switch on the unit.



- ▶ Press the button that is lit blue until it flashes.

The unit is ready to connect to the smartphone for 5 minutes.

- ▶ Click "Next" on the smartphone.

5.4.2 / 4



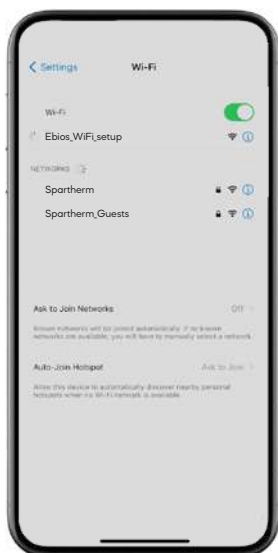
The "Find the setup network" window opens on the smartphone.

5.4.2 / 6



- ▶ Return to the ebios LINE app on your smartphone and click "Next".

5.4.2 / 5



- ▶ Open the network settings on your smartphone.
- ▶ Start the search for available WLAN networks.
- ▶ Select the network "Ebios_WiFi_setup".

The ebios LINE app automatically establishes the network connection to your unit.

5.4.2 / 7



The "Initializing the setup network" window opens on the smartphone.

- ▶ The network is set up.
- ▶ Wait until network set-up is complete.

5.4.2 / 8



The “Setup Network Active” window opens on the smartphone.

- ▶ Click “Connect” to continue the installation.

In the next step, the unit registers in the network. There are two options for registration:

- ➔ “5.4.3 Registering the unit in the home network” (page 29).
- ➔ “5.4.4 Registering the unit via an access point network” (page 30).

5.4.3 Registering the unit in the home network

5.4.3 / 1



The “Connect to Home Network” window opens on the smartphone.

- ▶ In the “Network Name” menu, select the home network in which you want to register your unit.
- ▶ Enter the password for your home network in the “Password” field.
- ▶ Click “Next” to send your password.

If the network “Ebios_WiFi_setup” is not found by your smartphone:



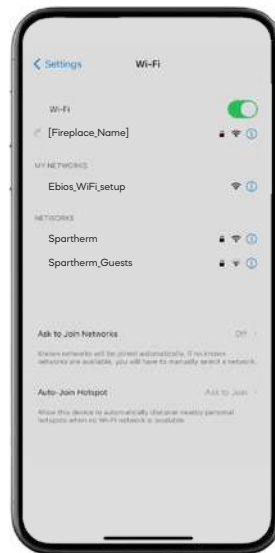
- ▶ Press the button again until it flashes.



- ▶ Press the button to switch off the unit.
- ▶ Wait 10 seconds.
- ▶ Press the button again to switch on the unit.

- ▶ Repeat the process for connecting your smartphone with the unit as described above.
 - ➔ Figures 5.4.2 / 4 to 5.4.2 / 8.

5.4.3 / 2



- ▶ Confirm the home network in the network settings of your smartphone.

5.4.3 / 3



- ▶ Switch to the ebios LINE app on your smartphone.

The “Your Fireplaces” window opens on the smartphone.

- ▶ Select the unit you wish to register.
- ▶ If desired, click “Edit” to change the name of the linked unit.
- ▶ Click “Connect”.

5.4.4 Registering the unit via an access point network

5.4.4 / 1



The “Connect to Home Network” window opens on the smartphone.

- ▶ Click “Help”.



After successfully establishing the smartphone connection, the button lights up green.

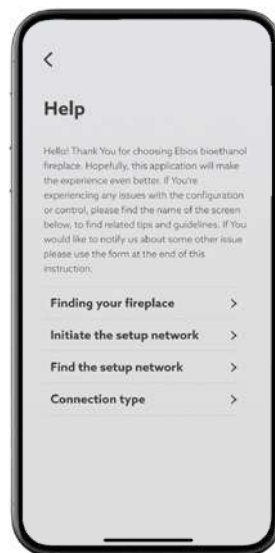
5.4.3 / 4



If it is not possible to register the unit in the home network:

- ▶ Ensure that the unit is in the network you are using.
- ▶ Start the app again or click “Start screen” > “Help” > “Connection type” > “Connect to home network”.

5.4.4 / 2



The “Help” window opens on the smartphone.

- ▶ Click “Connection type”.

5.4.4 / 3



The “Connection type” window opens on the smartphone.

- ▶ Select the option “Access Point”.

5.4.4 / 5



The “Create Access Point” window opens on the smartphone.

- ▶ Enter the desired name of your access point network in the “Network name” field.
- ▶ Enter a password for your access point network in the “Password” field.
- ▶ Enter the password again in the “Confirm password” field.
- ▶ Click “Next”.

5.4.4 / 4



The “Connection type” window opens on the smartphone.

- ▶ Click “Create Access Point”.



After successfully establishing the smartphone connection, the button lights up green.

5.5 Filling the unit

⚠ WARNING!

Risk of explosion or fire caused by improper handling!

Hot unit components or sparks can ignite the fuel. Explosions and severe burns are possible.

- ▶ Never smoke while handling the fuel.
- ▶ Make sure that the unit, in particular the fire bar, has cooled down completely.
- ▶ Make sure that the temperatures in the environment and on the surrounding surfaces are not critical (< 78 °C).
- ▶ Make sure that the unit is clean and no fuel has been spilt on it.
- ▶ Only use the supplied fuel pump for refuelling.

⚠ WARNING!

Risk of injury caused by the fuel igniting!

If the fuel pump or the fuel container tips over or is in a slanted position, fuel may overflow and ignite. Explosions and severe burns are possible.

- ▶ Ensure that the fuel pump and the fuel container are in a stable position.
- ▶ Ensure that the fuel pump and the fuel container are protected against being accidentally moved, knocked over or lifted.
- ▶ Keep a sufficient distance from heat sources when refuelling.

Prerequisites for refuelling:

- The unit is not in firing mode.
- The fire bar has cooled down.

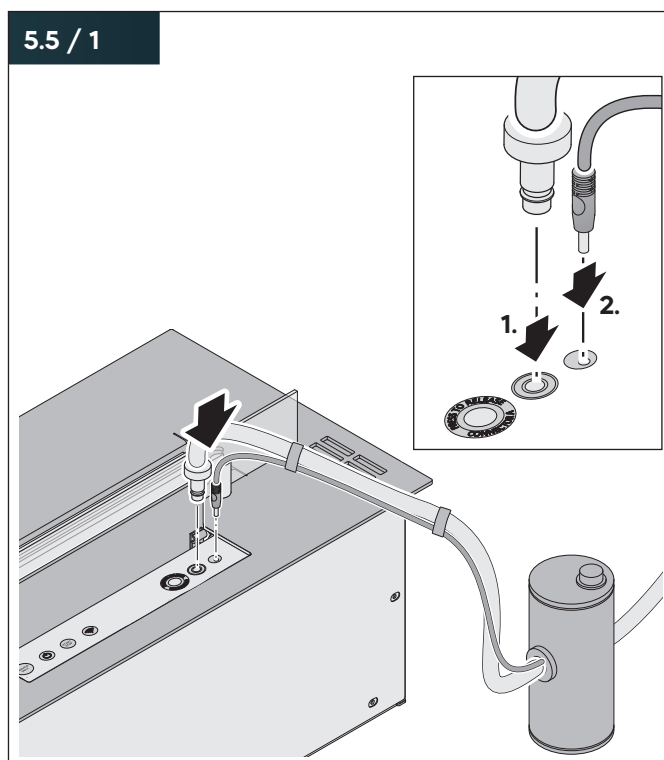
- ▶ Place the fuel pump and fuel container on the floor within reach of the unit.
- ▶ Ensure that the fuel pump and the fuel container are stable.
- ▶ Open the control panel cover.



- ▶ Press the button to switch on the unit.



- ▶ When the button lights up blue, the fuel tank of the unit is completely empty.



- ▶ Plug the hose coupling onto the fuel pump connection.

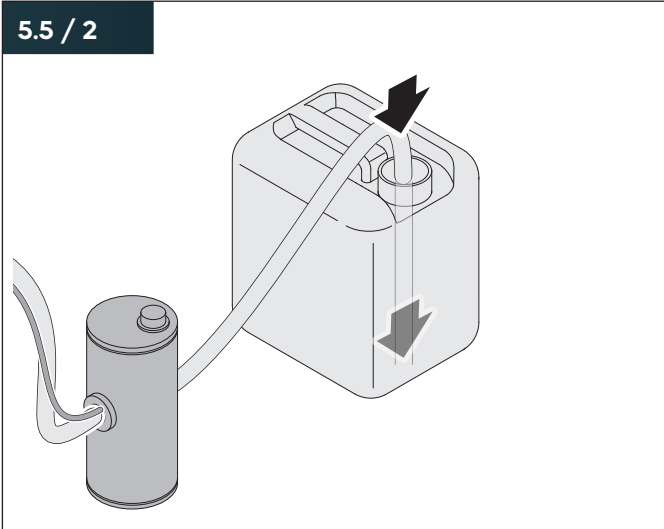
The hose coupling engages with an audible click.



- ▶ Plug the power plug into the power connection of the fuel pump.

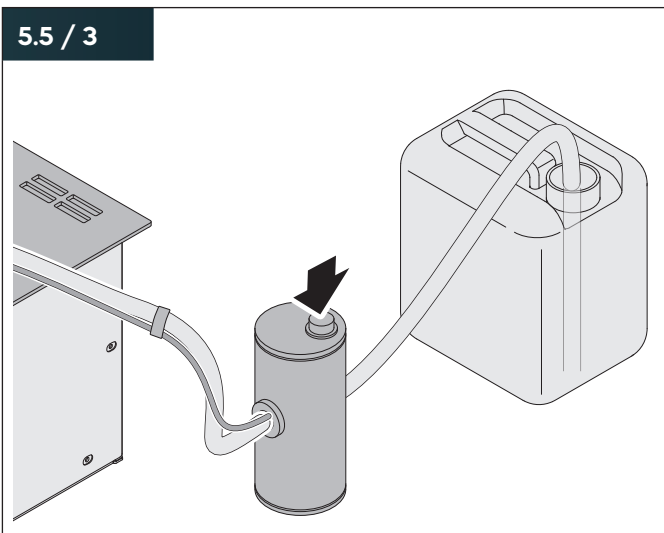
- ▶ Open the fuel container.

5.5 / 2



- ▶ Place the end of the suction hose in the fuel container.

5.5 / 3



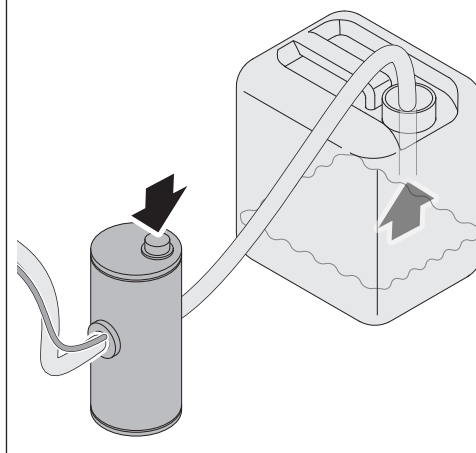
- ▶ Press the pump button until the fuel tank is filled.

The refuelling process starts. When the maximum filling level of the tank is reached, the pump switches off automatically and a signal tone sounds.

If the fuel container is emptied before the end of refuelling:

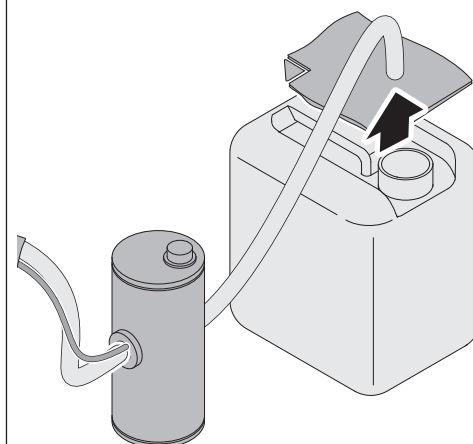
- ▶ Release the pump button.
- ▶ Replace the empty fuel container with a full one.
- ▶ Press the pump button again and hold it until the fuel tank of the unit is filled.

5.5 / 4



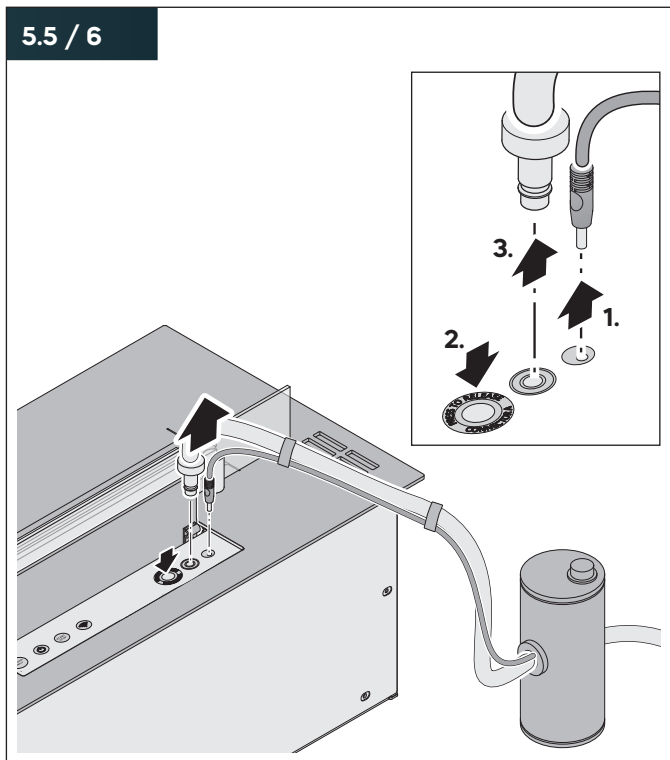
- ▶ Lift the end of the suction hose out of the fuel without pulling the suction hose out of the canister.
- ▶ Press the pump button until the fuel remaining in the hose is pumped into the unit.




5.5 / 5



- ▶ Carefully shake fuel residue from the end of the suction hose into the fuel container.
- ▶ Pull the suction hose out of the fuel container.
- ▶ Use a cloth to remove fuel residue from the suction hose.
- ▶ Close the fuel container.

5.5 / 6



-  ▶ Pull the power plug out of the power connection of the fuel pump.
 -  ▶ Press the button to release the hose coupling from the unit.
 -  ▶ Pull the hose coupling from the fuel pump connection.
- ▶ Store the fuel pump in the pump cover.
 - ▶ Start firing mode or close the control panel cover.

The unit must not be dismantled or transported while it is filled with fuel.

5.6 Firing mode

5.6.1 Prerequisites for firing mode

Ensure that the following is the case prior to starting firing mode:

- Flammable materials or objects must not be located on the unit or near the unit.
- No objects must be located on the top plate.
- No objects must be located on the fire bar.
- The ventilation slots must not be covered.
- There must be a fire extinguisher (fire class ABC, e.g. ABC powder, CO₂) near the unit.
- If fuel has leaked or been spilled, do not turn on the unit.

Note the following during firing mode:

- Do not leave the unit unattended.
- A supply of fresh air must be ensured through regular and sufficient ventilation. The air in the installation room must be completely exchanged 1 × per hour.
- Do not fill the tank of the unit.
- Do not touch the fuel pump connection in the control panel.
- Do not touch heated unit components (e.g. fire bar, glass panel or glass panes).

5.6.2 Starting firing mode

WARNING!

Fire hazard due to open fire!

Igniting the flame creates an open fire. Contact may lead to severe burns.

- ▶ Never bend over the fire bar.
- ▶ Ensure that the necessary safety distances are observed at all times.
- ▶ Ensure that flammable objects and materials (e.g. furniture, textiles, hair) are located at a sufficient distance from the unit.



- ▶ Press the button to switch on the unit.



When the button lights up green, the unit is ready for firing.

Using the control panel to ignite the flame



- ▶ Press the button to start the firing process.



The flame take 2 – 10 minutes to ignite. During this time, the following applies:

- The button flashes green.
- There may be an odour of fuel fumes.



When the button is no longer lit, the unit has reached its operating temperature and the flame has been ignited.

Using the remote control to ignite the flame



- ▶ Press the button to start the firing process.



The flame take 2 – 10 minutes to ignite. During this time, the following applies:

- The button flashes green.
- There may be an odour of fuel fumes.



When the button is no longer lit, the unit has reached its operating temperature and the flame has been ignited.

5.6.3 Controlling firing mode

WARNING!

Risk of injury due to flames and hot unit components!

After the flame is ignited, the unit components (e.g. glass panel or glass panes) become very hot. The flame can reach over the edge of the glass panel or the glass panes.

Contact may lead to severe burns.

- ▶ Do not touch the glass panel / the glass panes.
- ▶ Do not put your head, hands, hair or other body parts over the fire bar.
- ▶ Ensure that no flammable materials touch the unit.
- ▶ Keep flammable clothing away from the unit.

Controlling the flame height

The flame height can be adjusted in 6 levels.

The default setting of the flame height after ignition is level 4.



- ▶ Press the button to increase the flame height.



- ▶ Press the button to decrease the flame height.

It takes about 1 minute to reach the desired new flame height.

During firing mode, the fans below the ventilation slots cool the unit.

When the temperature of the fire bar is too high:



- The button is disabled.
- The unit automatically decreases the flame height.

When the temperature of the fire bar exceeds the maximum value:



- The button lights up red.
- The unit automatically stops the firing process.

5.6.4 Ending firing mode

Using the control panel to extinguish the flame



- ▶ Press the button to terminate the firing process.

It takes about 1 minute for the flame to go out.

Using the remote control to extinguish the flame



- ▶ Press the button to terminate the firing process.

It takes about 1 minute for the flame to go out.

Cooling mode

WARNING!

Risk of injury caused by hot unit components!

Parts of the unit remain very hot after the flame has gone out. Contact may lead to burns.

- ▶ Do not touch the fire bar or the glass panel / glass panes.

After the flame has gone out, the fans underneath the ventilation slots continue to run to speed up cooling of the unit.

In cooling mode, the following applies:



- The button flashes red.
- The firing process cannot be started.

Switching off the unit



- ▶ Press the button to switch off the unit.

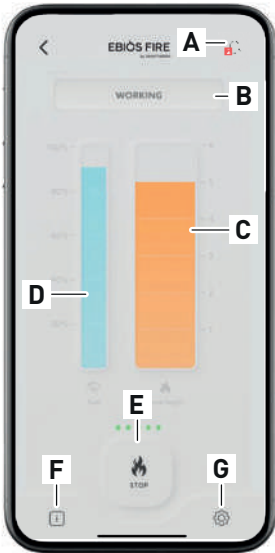
- ▶ Close the control panel cover.

The unit shuts down automatically in the following cases:

- An error has occurred during firing mode (e.g. exceeding the maximum temperature, no pump power).
- Control via the smartphone app (optional) is disrupted.
 - ➔ "7.3 Malfunction repair" (page 42).

5.6.5 Using the smartphone to control firing mode (optional)

5.6.5 / 1



Start screen of the ebios LINE app.

- A** "Newsletter" ➔ 5.6.5 / 2
- B** "Unit status"
- C** "Flame height"
- D** "Fuel tank level"
- E** "Ignite / extinguish flame"
- F** "Info" ➔ 5.6.5 / 3
- G** "Menu" ➔ 5.6.5 / 4

5.6.5 / 2



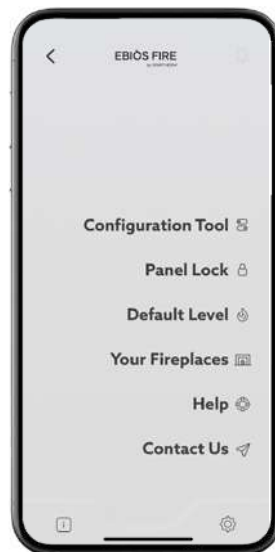
"Newsletter"
News and tips about your unit.

5.6.5 / 3



"Info"
Overview of the data and settings of your unit.

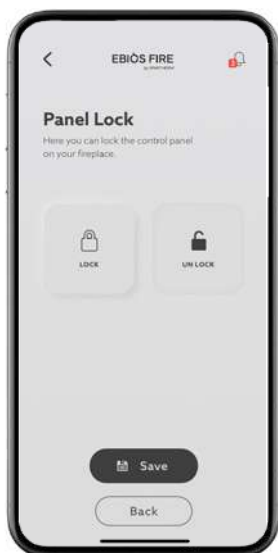
5.6.5 / 4



"Menu"
Main settings of the app.
▶ Click the menu items to change settings:

- "Configuration Tool" ➔ 5.4.2
- "Panel Lock" ➔ 5.6.5 / 5
- "Default Level" ➔ 5.6.5 / 6
- "Your Fireplaces"
Select unit ➔ 5.6.5 / 7
- "Help" ➔ 5.6.5 / 9
- "Contact Us" ➔ 5.6.5 / 10

5.6.5 / 5



“Panel Lock”

- ▶ Click “Lock” to lock the control panel of the unit.
- ▶ Click “Unlock” to unlock the control panel again.
- ▶ Click “Save” to confirm your selection.

Activating or deactivating the lock is only possible when the appliance is not in firing mode.

5.6.5 / 7



“Your Fireplaces”

Overview of the available units that can be controlled with the app.

- ▶ Click “Connect” to switch to the control of the respective unit.
- ▶ Click “Edit” to change the name of a unit.

5.6.5 / 6



“Default Levels”

The flame height can be adjusted in 6 levels. The default setting of the flame height after ignition is level 4.

- ▶ Set the desired flame height.
- ▶ Click “Save” to confirm your selection.
- ▶ Click “Reset” to restore the factory setting (level 4).

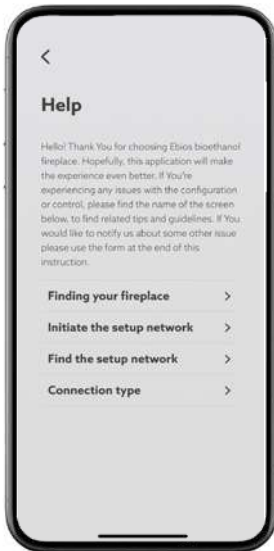
5.6.5 / 8



“Fireplaces name”

- ▶ Enter the desired name for your fireplace.
- ▶ Click “Accept” to save the name.

5.6.5 / 9



“Help”

In the “Help” menu you will find information on the following settings of the unit:

“Finding your fireplace”

➔ 5.4.2 / 1

“Initiate the setup network”

➔ 5.4.2 / 3

“Find the setup network”

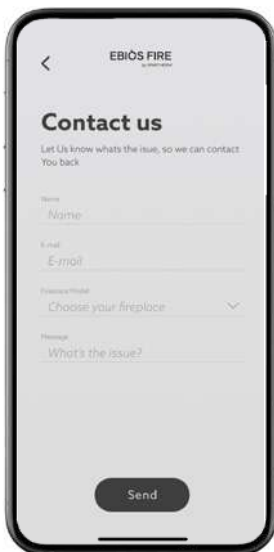
➔ 5.4.2 / 4

“Connection type”

➔ 5.4.3

➔ 5.4.4

5.6.5 / 10



“Contact us”

If you have any questions or need information, you can contact the manufacturer via the contact form.

- ▶ Fill in the fields of the form.
- ▶ Click “Send” to send your message.

The manufacturer will contact you after receiving the message.

6. Cleaning

6.1 Safety information for cleaning


ATTENTION!

Risk of material damage caused by improper cleaning!

Incorrect cleaning may damage the unit (e.g. damage to surfaces and varnish, glass breaking). This chapter contains important information for cleaning the unit.

- ▶ Carefully read this chapter.
- ▶ Adhere to the safety information.
- ▶ Perform the cleaning work as described.

Cleaning may only be performed by instructed users.
⇒ "1.2.4 Users" (page 4).

- Always fully remove any dirt. Remaining dirt may be burnt in and can then no longer be removed.
 - Ensure that cleaning agent does not make contact with lacquered surfaces (e.g. as a result of spraying).
 - Keep objects that may cause scratches on the unit (e.g. rings on your finger) away from the unit.
 - Do not use objects that may scratch surfaces when cleaning the unit.
 - Only use suitable cleaning agents. Harsh, caustic or scouring cleaning agents are not suitable.
-  Note the information and specifications on the cleaning agents used.

6.2 Cleaning tasks

ATTENTION!

Risk of material damage caused by touching the red heat element!

The red heat element is very sensitive and easy to damage while cleaning the unit.

- ▶ Avoid contact with the red heat element.

Prior to any cleaning work:

- ▶ Ensure the following:
 - The unit is switched off.
 - The unit is at room temperature.

Surfaces

- ▶ Clean the surfaces with a damp cloth.

Glass panel or glass panes

- ▶ Clean minor soiling with a damp cloth.
- ▶ In the case of severe soiling, carefully apply glass cleaner with a cloth or a rag.
- ▶ Ensure that the cleaning agent does not make contact with lacquered surfaces.

7. Service work

7.1 Safety information for service work

WARNING!

Danger due to non-adherence to service work instructions!

Incorrect servicing of the unit may lead to severe injuries. This chapter contains important information for safe servicing of the unit.

- ▶ Carefully read this chapter.
- ▶ Adhere to the safety information.
- ▶ Perform the service work as described.

Maintenance and repair work may only be performed by qualified experts.

⇒ "1.2.3 Qualified personnel" (page 4).

Measures for repairing malfunctions may be performed by instructed users.

⇒ "1.2.4 Users" (page 4).

To prevent danger, always adhere to the following requirements:

- Immediately eliminate any detected defects.
- Only use spare parts manufactured or approved by the manufacturer.

Only qualified personnel may replace or repair components.

- ▶ Contact the manufacturer or a specialised company.

Prior to any work on the unit:

- ▶ Ensure the following:
 - The unit is switched off.
 - The unit is at room temperature.

The fuel tank must be completely empty:

- ▶ Open the control panel cover.



- ▶ Press the button to switch on the unit.



When the button lights up blue, the fuel tank of the unit is completely empty.

- ➔ "8.2 Disassembling the unit" (page 47).



When the button lights up green:

- ➔ "7.4 Emptying the fuel tank" (page 44).

- ▶ Protect the area around the unit, e.g. by covering the floor and furniture.
- ▶ Wear work clothing and protective gloves.

7.2 Maintenance measures

WARNING!

Risk of injury due to contact with hot components!

Unit components (e.g. fire bar, glass panel/glass panes) may remain very hot after operation. Contact may lead to burns.

- ▶ Ensure that the unit and all accessible components have cooled down.

- ▶ Keep the supplied USB cable for service purposes.
 - ➔ "2.6 Scope of delivery" (page 9).

Service work

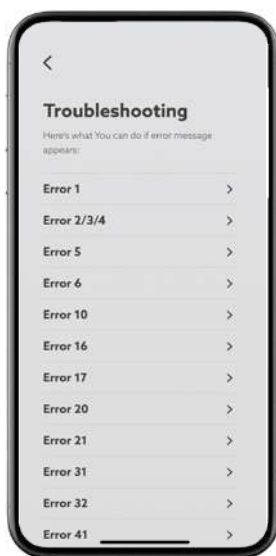
7.3 Malfunction repair

Possible malfunctions of the unit and countermeasures are described in the Ebios LINE app.

If you are not using the smartphone control:

- ▶ Contact the manufacturer or a specialised company.

7.3 / 1

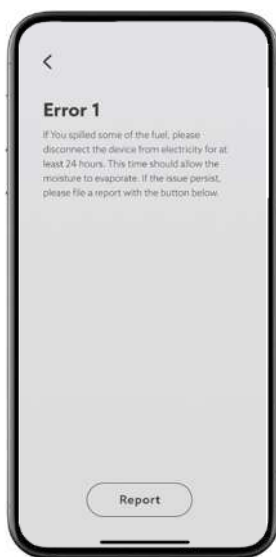


If operation of the unit is disrupted, the “Troubleshooting” window opens on the smartphone.

The malfunction is displayed as an error code (“Error” + number).

- ▶ Click on the error code.

7.3 / 2



“Error”

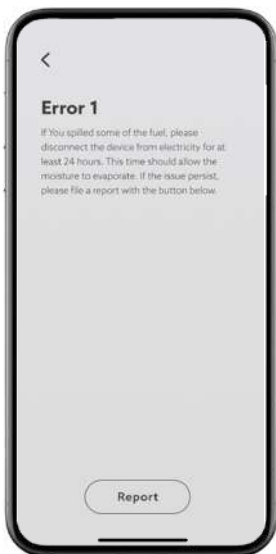
The cause of the malfunction and its countermeasure is described.

- ▶ Follow the instructions to eliminate the error.

Error	Cause and countermeasure
1	Fuel was spilled. <ul style="list-style-type: none"> ▶ Disconnect the unit from power for at least 24 hours. The spilled fuel will evaporate within this time.
2/3/4	The temperature in the unit is too high. <ul style="list-style-type: none"> ▶ Check for correct installation of the unit including the accessories. <ul style="list-style-type: none"> ➡ “4. Assembly” (page 13). ▶ Ensure sufficient fresh air supply in the installation room to achieve the air exchange rate. <ul style="list-style-type: none"> ➡ “2.7 Technical data” (page 10).
5	The unit was moved with a jerk. <ul style="list-style-type: none"> ▶ Ensure that the environment of the unit is vibration-free. ▶ Check for correct installation of the unit including the accessories. <ul style="list-style-type: none"> ➡ “4. Assembly” (page 13). <p>The error message automatically disappears after a few minutes.</p>
6	The level sensors in the tank report a malfunction. <ul style="list-style-type: none"> ▶ Ensure that the unit is being operated with the permissible fuel. <ul style="list-style-type: none"> ➡ “3. Type of fuel” (page 12).
10	The temperature of the heating unit is too low. <ul style="list-style-type: none"> ▶ Disconnect the unit from power for 10 minutes. ▶ Start the firing process again.
16	The temperature of the heating unit is too high. <ul style="list-style-type: none"> ▶ Disconnect the unit from power for 10 minutes. ▶ Start the firing process again.
17	The permissible period for flame ignition has been exceeded. <ul style="list-style-type: none"> ▶ Check that the red heat element is red-hot. ▶ Check for correct installation of the unit including the accessories. <ul style="list-style-type: none"> ➡ “4. Assembly” (page 13).
20	The starting temperature of the fire bar is too low. <ul style="list-style-type: none"> ▶ Check for correct installation of the unit including the accessories. <ul style="list-style-type: none"> ➡ “4. Assembly” (page 13).
21	The temperature of the fire bar is too high. <ul style="list-style-type: none"> ▶ Check for correct installation of the unit including the accessories. <ul style="list-style-type: none"> ➡ “4. Assembly” (page 13).
31	The compensation tank has been overfilled. <ul style="list-style-type: none"> ▶ Ensure that the unit is being operated with the permissible fuel. <ul style="list-style-type: none"> ➡ “3. Type of fuel” (page 12).

Error	Cause and countermeasure
32	The time for filling the compensation tank has been exceeded. <ul style="list-style-type: none"> ▶ Ensure that the unit is being operated with the permissible fuel. <ul style="list-style-type: none"> ➔ “3. Type of fuel” (page 12).
41	The tank has been overfilled. <ul style="list-style-type: none"> ▶ Ensure that the unit is being operated with the permissible fuel. <ul style="list-style-type: none"> ➔ “3. Type of fuel” (page 12). ▶ Ensure that the unit is filled correctly. <ul style="list-style-type: none"> ➔ “5.5 Filling the unit” (page 32).
99	The control panel has no connection to the main board. <ul style="list-style-type: none"> ▶ Disconnect the unit from power for 10 minutes.

7.3 / 3



“Error”

If the error code continues to be displayed:

- ▶ Click “Report” to report the error to the manufacturer.
 - ➔ 7.3 / 4

7.3 / 4



“File a report”

- ▶ Fill in the fields of the form.
- ▶ Describe the error that occurred.
- ▶ Click “Send” to send your message.

The manufacturer will contact you after receiving the message.

Other possible malfunctions that are not described in the Ebios LINE app:

There is a fuel odour when starting firing mode.

- Vaporised fuel escapes before ignition of the fire bar.
 - ▶ Ensure sufficient ventilation of the installation space with fresh air.

Control via the remote control does not work.

- The remote control battery is empty.
 - ▶ Replace the battery.

If a malfunction cannot be repaired:

- ▶ Contact the manufacturer or a specialised company.

Service work

7.4 Emptying the fuel tank

⚠ WARNING!

Risk of explosion or fire caused by improper handling!

Hot unit components or sparks can ignite the fuel. Explosions and severe burns are possible.

- ▶ Never smoke while handling the fuel.
- ▶ Make sure that the unit, in particular the fire bar, has cooled down completely.
- ▶ Make sure that the temperatures in the environment and on the surrounding surfaces are not critical ($< 78^{\circ}\text{C}$).
- ▶ Make sure that the unit is clean and no fuel has been spilt on it.
- ▶ Only use the supplied fuel pump for refuelling.

⚠ WARNING!

Risk of injury caused by the fuel igniting!

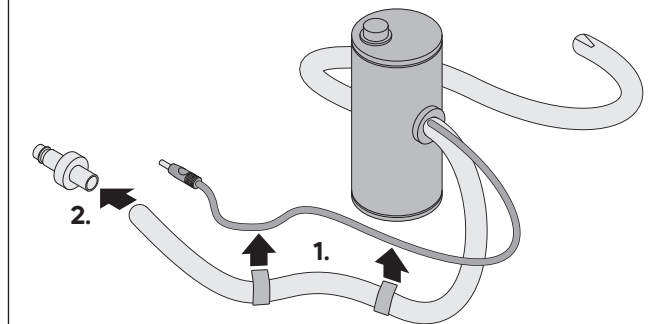
If the fuel pump or the fuel container tips over or is in a slanted position, fuel may overflow and ignite. Explosions and severe burns are possible.

- ▶ Ensure that the fuel pump and the fuel container are in a stable position.
- ▶ Ensure that the fuel pump and the fuel container are protected against being accidentally moved, knocked over or lifted.
- ▶ Keep a sufficient distance from heat sources when refuelling.

Prerequisites for emptying:

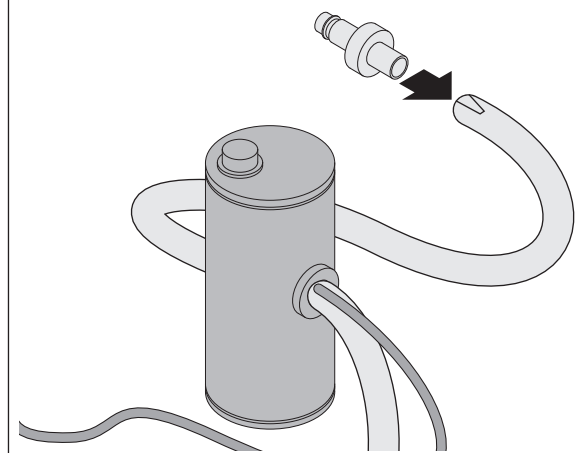
- The unit is not in firing mode.
- The fire bar has cooled down.

7.4 / 1



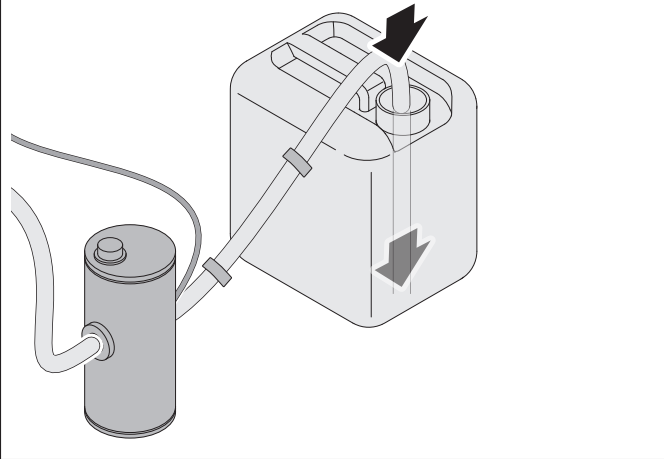
- ▶ Undo the hook-and-loop fasteners fastening the power cable to the pressure hose.
- ▶ Release the hose coupling of the fuel pump from the pressure hose.

7.4 / 2



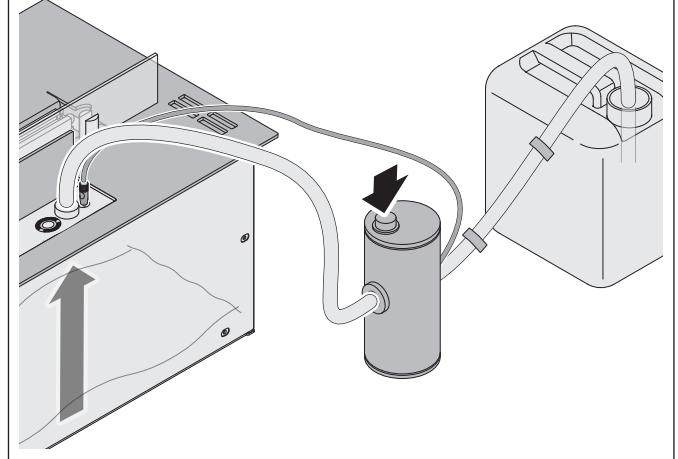
- ▶ Screw the hose coupling of the fuel pump onto the end of the suction hose.
- ▶ Place the fuel pump and fuel container on the floor within reach of the unit.
- ▶ Ensure that the fuel pump and the fuel container are stable.

7.4 / 3



- ▶ Open the fuel container.
- ▶ Place the pressure hose in the fuel container.

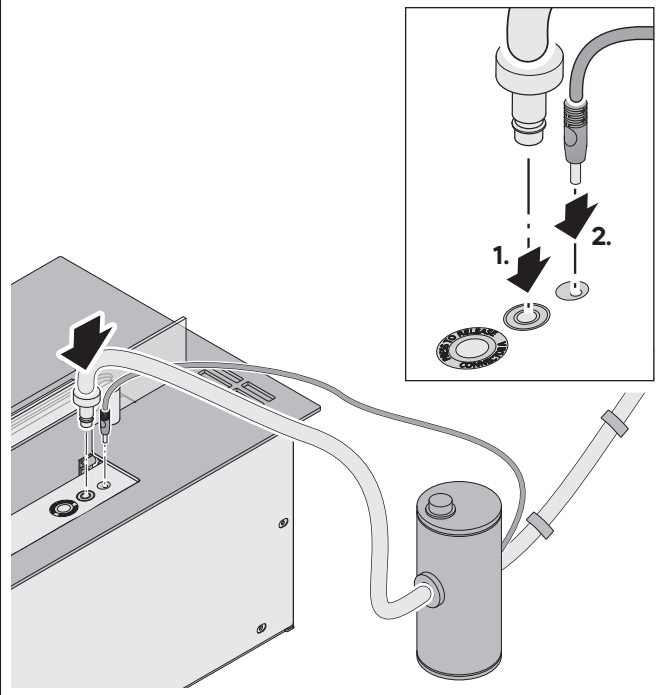
7.4 / 5



- ▶ Press the pump button until the fuel tank is empty.

The fuel from the tank is pumped into the fuel container. When the tank is completely empty, the pump switches off automatically and a signal tone sounds.

7.4 / 4

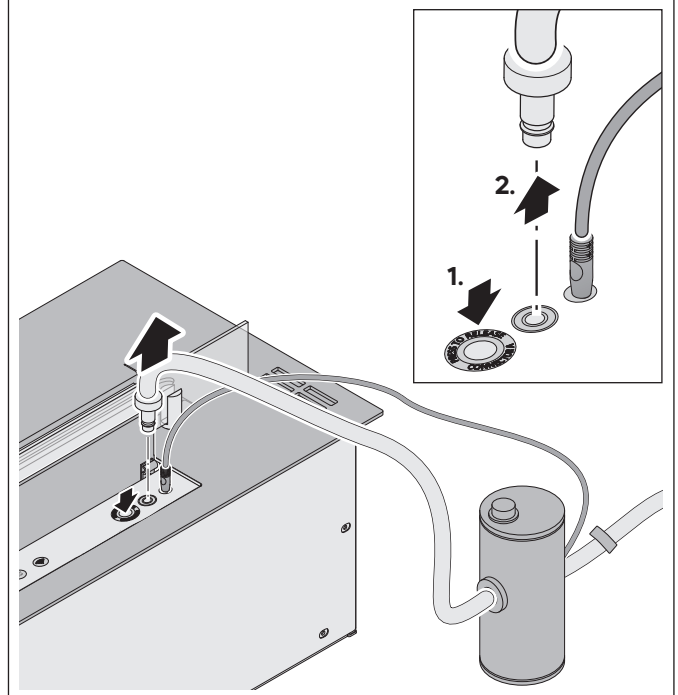


- ▶ Plug the hose coupling onto the fuel pump connection.

The hose coupling engages with an audible click.

- ▶ Plug the power plug into the power connection of the fuel pump.

7.4 / 6



- ▶ The button lights up blue: The fuel tank of the unit is completely empty.

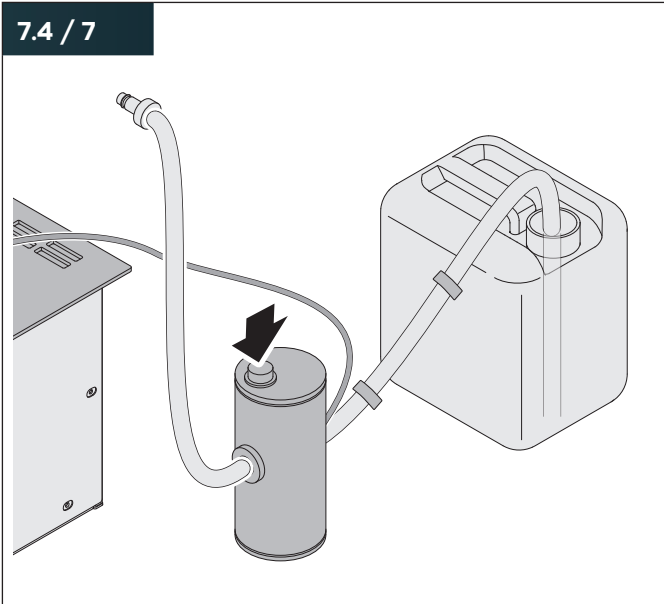
- ▶ Press the button to release the hose coupling from the unit.

Service work



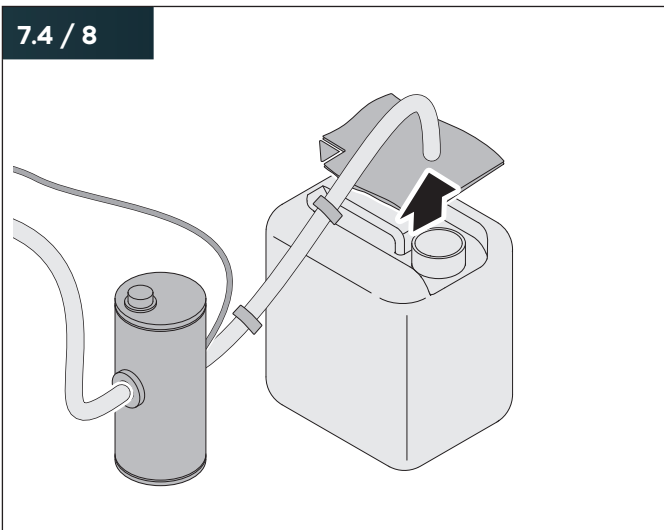
- ▶ Pull the hose coupling from the fuel pump connection.
- ▶ Hold up the suction hose.

7.4 / 7



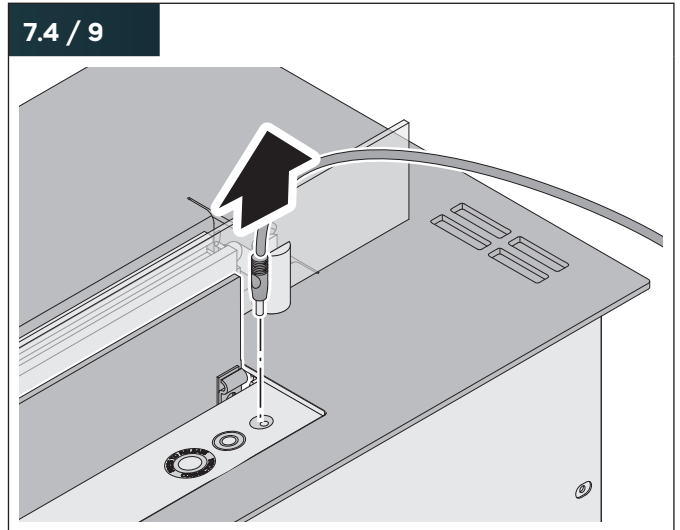
- ▶ Press the pump button until the fuel remaining in the hose is pumped into the fuel container.

7.4 / 8



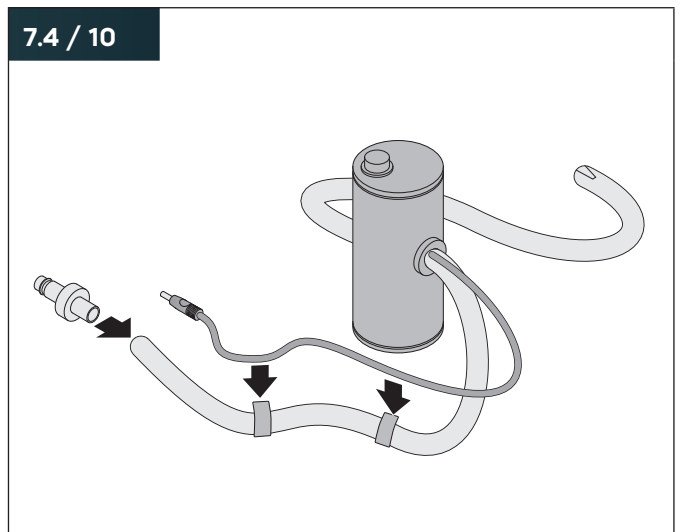
- ▶ Lift the end of the pressure hose out of the fuel without pulling the pressure hose out of the canister.
- ▶ Carefully shake fuel residue from the end of the pressure hose into the fuel container.
- ▶ Pull the pressure hose out of the fuel container.
- ▶ Use a cloth to remove fuel residue from the pressure hose.
- ▶ Close the fuel container.

7.4 / 9



- ▶ Pull the power plug out of the power connection of the fuel pump.

7.4 / 10



- ▶ Release the hose coupling of the fuel pump from the suction hose.
- ▶ Screw the hose coupling onto the pressure hose.
- ▶ Fasten the power cable on the pressure hose using the hook-and-loop fasteners.
- ▶ Store the fuel pump in the pump cover.
- ▶ Close the control panel cover.

8. Disassembly

8.1 Safety information for disassembly

WARNING!

Danger due to non-adherence to disassembly instructions!

Incorrect disassembly of the unit may lead to severe injuries.

This chapter contains important information for safe disassembly of the unit.

- ▶ Carefully read this chapter prior to disassembly.
- ▶ Adhere to the safety information.
- ▶ Perform the disassembly work as described.

Only qualified personnel may disassemble the unit. Electrical work may only be performed by qualified electricians.

⇒ "1.2.3 Qualified personnel" (page 4).

To prevent danger, always adhere to the following requirements:

- The unit and other parts that you may come in contact with have cooled down for a sufficient period.
- The surroundings of the unit are protected, e.g. by means of covers for the floor and furniture.

The fuel tank of the unit must be completely empty before the unit is disassembled:

- ▶ Open the control panel cover.



- ▶ Press the button to switch on the unit.



When the button lights up blue, the fuel tank of the unit is completely empty.

- ➔ "8.2 Disassembling the unit" (page 47).



When the button lights up green:

- ➔ "7.4 Emptying the fuel tank" (page 44).

8.2 Disassembling the unit

- ▶ Remove the glass panel or glass panes by carrying out the assembly steps in reverse order:
 - ➔ "4.10 Installing the glass panel" (page 21).
 - ➔ "4.11 Installing the glass panes" (page 22).
- ▶ Disassemble the unit by performing the assembly steps in reverse order:
 - ➔ "4.9 Installing the unit" (page 20).

9. Disposal

9.1 Disposing of the packaging

ATTENTION!

Risk of environmental damage caused by improper disposal of the packaging!

- ▶ Do not dispose of the packaging with the normal household waste.
- ▶ Ensure that the packaging is recycled in a proper, environment-friendly manner.

The packaging is intended to protect the unit from transport damage. The packaging materials have been selected based on their environment-friendly characteristics and are made of recyclable materials. The packaging materials can be returned to the raw material cycle after use.

- ▶ Dispose of the packaging in an environmentally friendly manner, separated by the types of material.



9.2 Disposing of the unit

ATTENTION!

Risk of environmental damage caused by improper disposal of the unit!

- ▶ Do not dispose of the unit with the normal household waste.
- ▶ Ensure that the unit is recycled in a proper, environment-friendly manner.

- ▶ Dispose of the unit according to the legal regulations through a specialised disposal company or your local disposal facilities.



Accessories

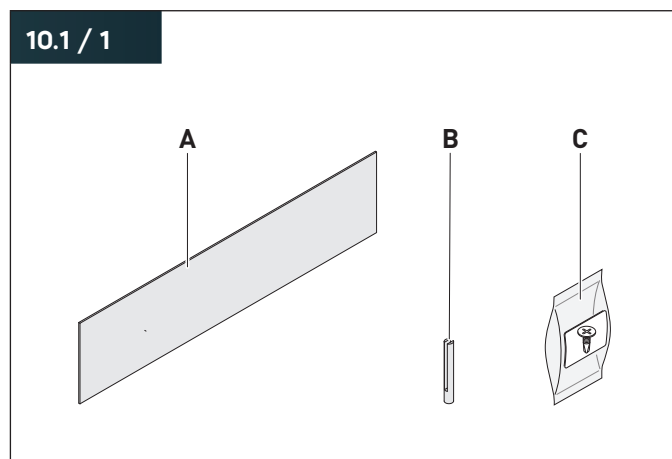
10. Accessories

10.1 Glass panes

Glass panes must be fitted for the following installation types:

- Island installation.
- Room divider installation.
- Tunnel installation.
- ➔ “4.4 Installation types” (page 14).
- ➔ “4.11 Installing the glass panes” (page 22).

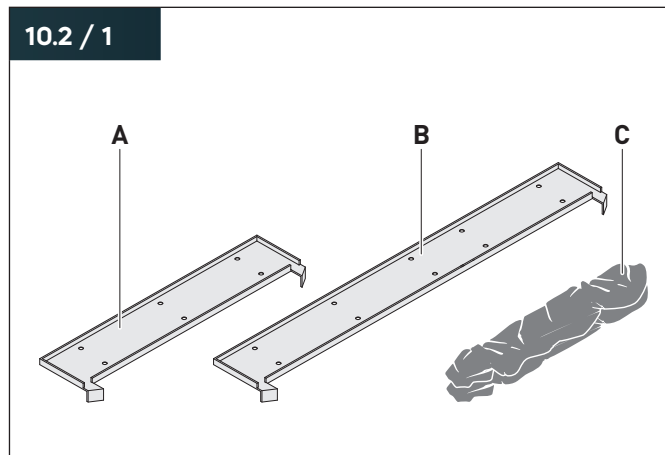
Scope of delivery



	LINE 800 LINE+ 800	LINE 1000 LINE+ 1000	LINE 1200 LINE+ 1200	LINE 1500 LINE+ 1500
A Glass pane	2 ×	2 ×	2 ×	4 ×
B Support	4 ×	4 ×	6 ×	8 ×
C Screw set	1 ×	1 ×	1 ×	1 ×

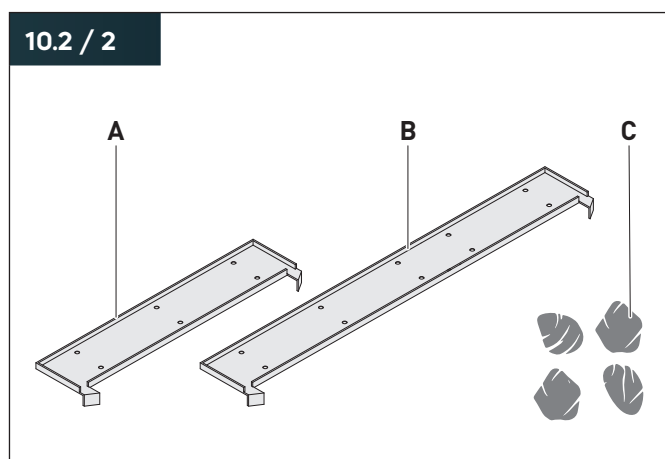
10.2 Decorative materials

Scope of delivery - decorative wood



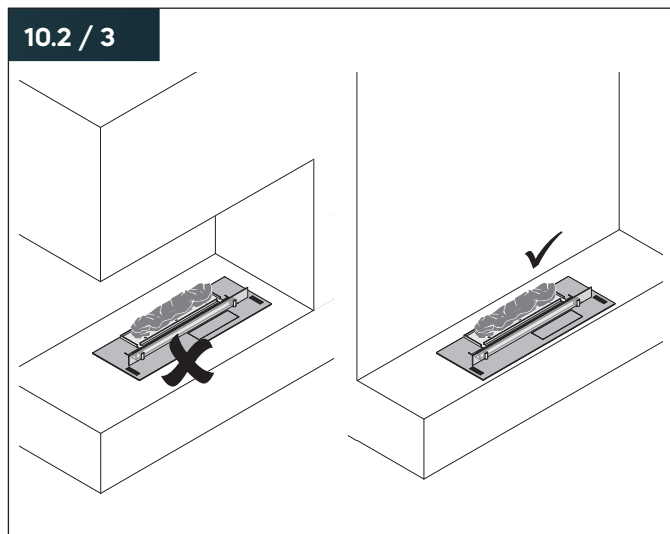
	LINE 800 LINE+ 800	LINE 1000 LINE+ 1000	LINE 1200 LINE+ 1200	LINE 1500 LINE+ 1500
A Short tray	1 ×	–	2 ×	1 ×
B Long tray	–	1 ×	–	1 ×
C Decorative wood	1 ×	2 ×	2 ×	3 ×

Scope of delivery - decorative stones



	LINE 800 LINE+ 800	LINE 1000 LINE+ 1000	LINE 1200 LINE+ 1200	LINE 1500 LINE+ 1500
A Short tray	1 ×	–	2 ×	1 ×
B Long tray	–	1 ×	–	1 ×
C Decorative stones	1 ×	2 ×	2 ×	3 ×

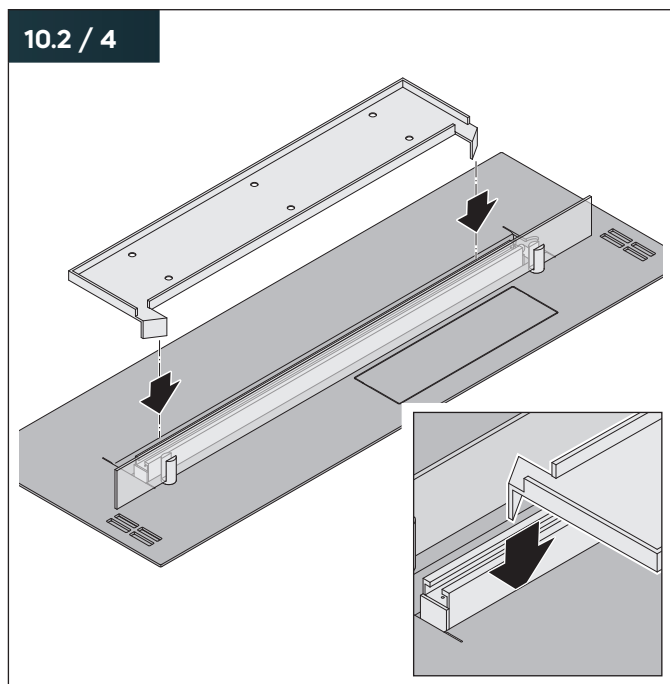
Installing the decorative materials



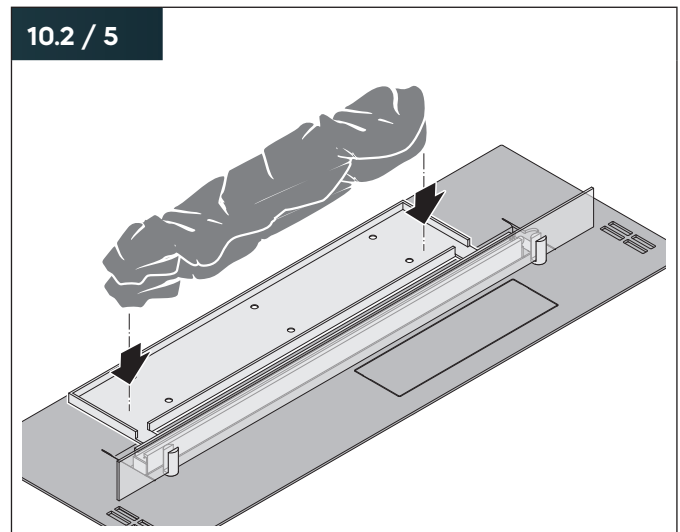
No decorative material may be installed in the following installation types:

- Island installation.
- Room divider installation.
- Tunnel installation.
- ➔ “4.4 Installation types” (page 14).

The tray for decorative materials is attached to the back of the top plate.



- ▶ Hook the tray for decorative materials into the gap between the fire bar and the top plate.
- ▶ Ensure that the tray rests on the top plate.



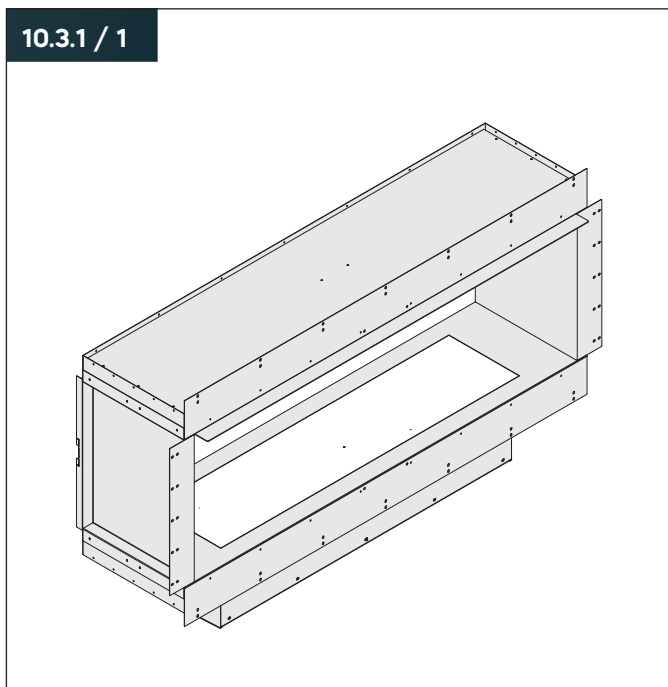
- ▶ Spread the decorative wood or decorative stones on the tray.

10.3 Installation boxes

10.3.1 Box 1V

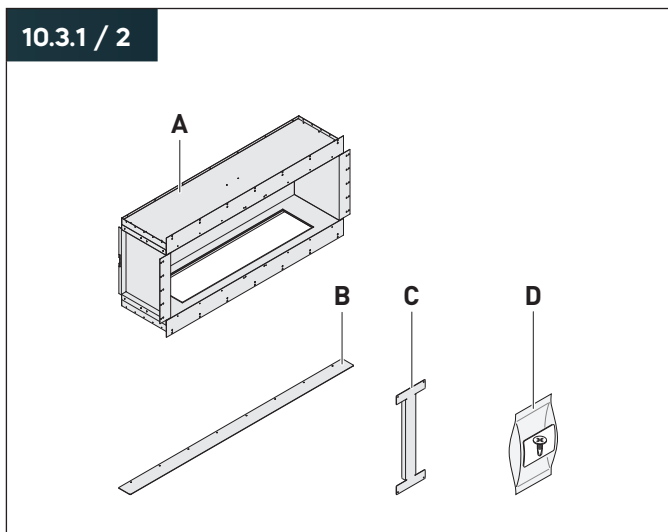
Product overview

10.3.1 / 1



Scope of delivery

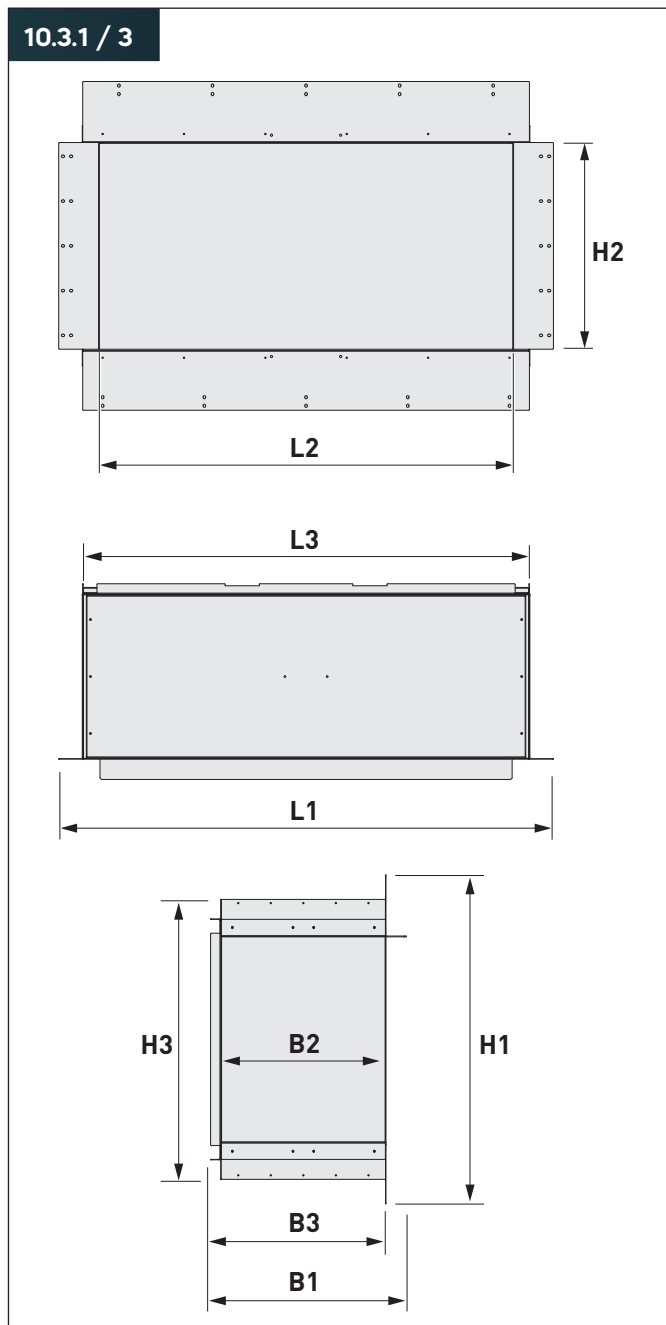
10.3.1 / 2



- A** Installation box
- B** Deflector
- C** Steel support
- D** Screw set

Dimensions

10.3.1 / 3



- L1 Total length¹
- L2 Length of installation box interior
- L3 Length of installation box exterior
- B1 Total width¹
- B2 Width of installation box interior
- B3 Width of installation box exterior
- H1 Total height¹
- H2 Height of installation box interior
- H3 Height of installation box exterior

¹ With screens, mounting strips and deflectors.

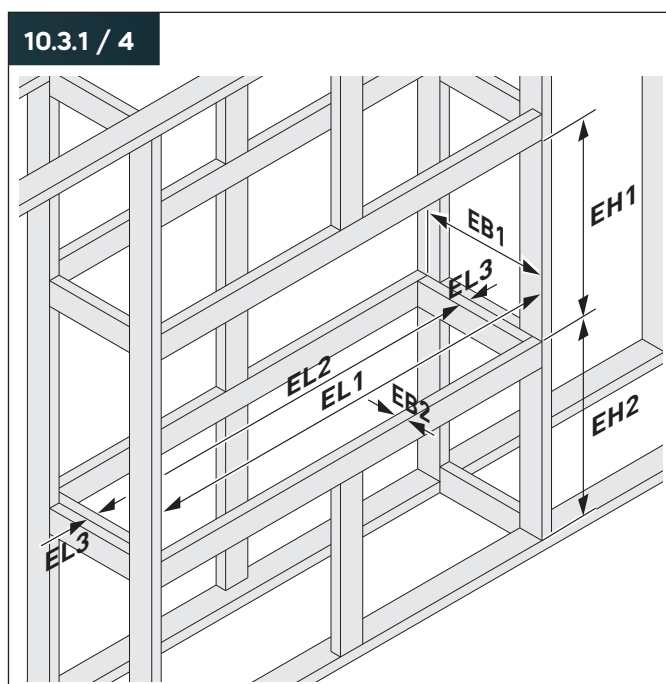
Dimensions (mm)	Box TV 800	Box TV 1000	Box TV 1200	Box TV 1500
L1	1216	1419	1724	2029
L2	1016	1219	1524	1829
L3	1100	1303	1608	1913
B1	481	481	481	481
B2	406	406	406	406
B3	431	431	431	431
H1	808	808	808	808
H2	508	508	508 <td 508	
H3	688	688	688	688

Weight

Weight (kg)	Box TV 800	Box TV 1000	Box TV 1200	Box TV 1500
With LINE	65.2	74.6	89.8	105.3
With LINE+	73.1	85.6	100.8	118.3

Installation of Box 1V

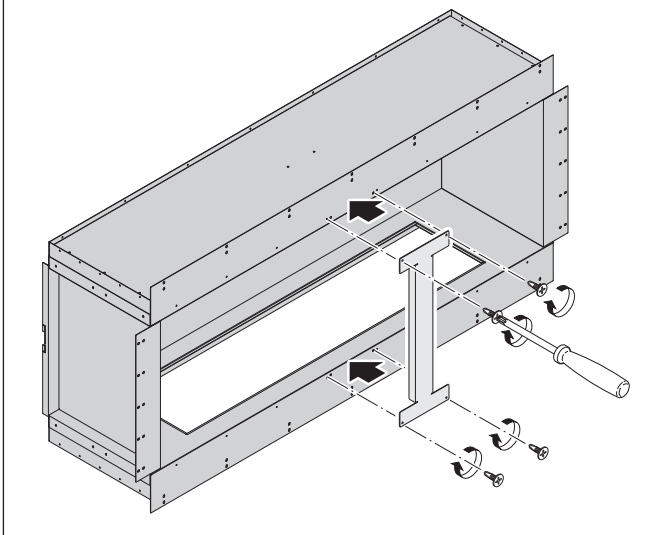
- ▶ Adhere to the safety instructions for installation.
 - "4.1 Safety information for assembly" (page 13).
- ▶ Check that the prerequisites for installation are met.
 - "4.2 Requirements for assembly" (page 13).
- ▶ Check that the installation site meets all requirements.
 - "4.3 Requirements for the installation space" (page 13).
- ▶ Create an installation opening with the following dimensions:



Dimensions (mm)	Box TV 800	Box TV 1000	Box TV 1200	Box TV 1500
EL1	1120	1320	1630	1930
EL2	minimum 820	1020	1230	1530
EL3	maximum 150	150	200	200
EB1	450	450	450	450
EB2	maximum 50	50	50	50
EH1	710	710	710	710
EH2	minimum 240	240	240	240

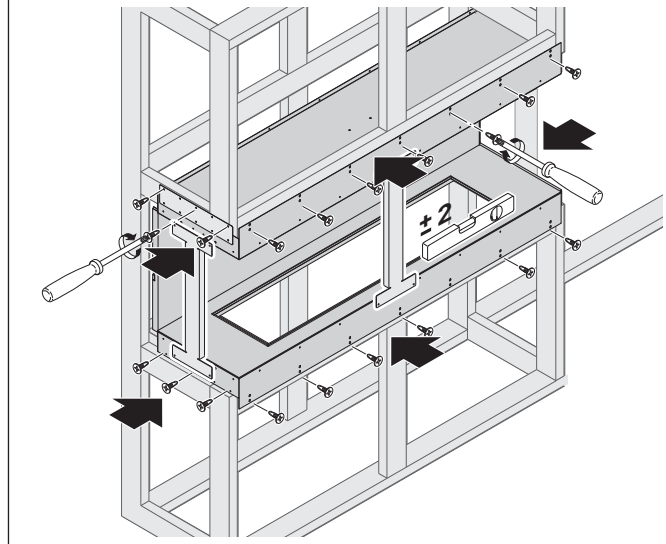
Accessories

10.3.1 / 5



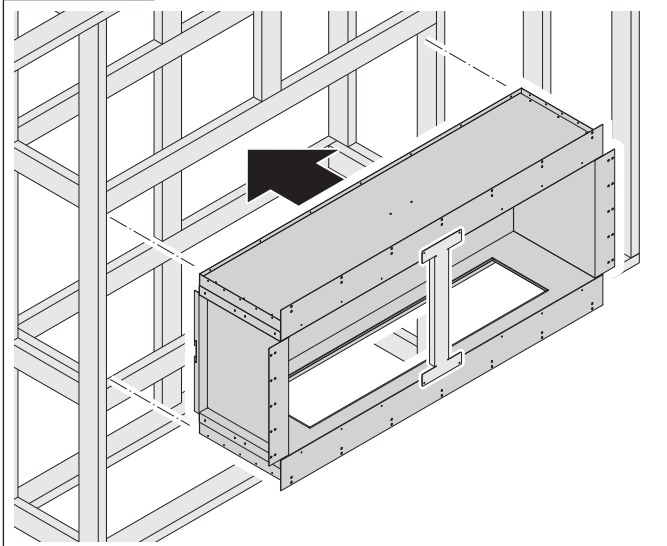
- ▶ Position the steel support at the centre of the visible side of the installation box.
- ▶ Ensure that the holes of the steel support and the installation box line up.
- ▶ Screw the steel support in place.

10.3.1 / 7



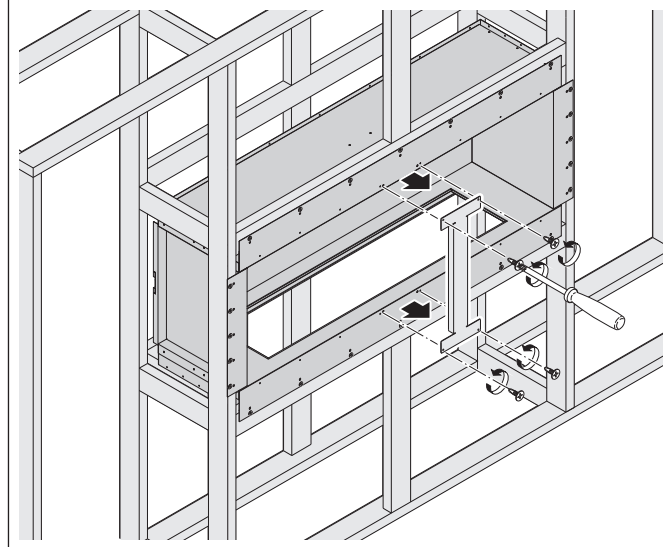
- ▶ Align the installation box horizontally.
- ▶ Screw the installation box to the frame structure of the installation opening.

10.3.1 / 6



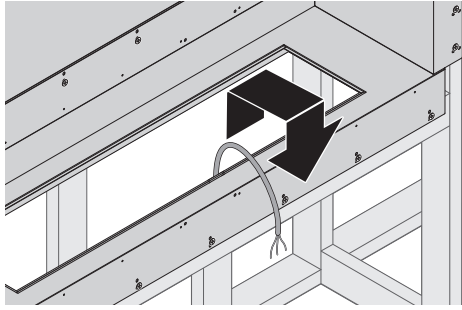
- ▶ Position the installation box in the installation opening.

10.3.1 / 8



- ▶ Undo the screws of the steel support.
- ▶ Remove the steel support.

10.3.1 / 9



- ▶ Make sure that a sufficient length of the cable of the on-site electrical supply line is accessible underneath the installation box.
- ▶ Cover the frame structure of the installation opening according to your installation situation.
- ▶ Ensure that visible edges of the cladding material are covered by screens or other covers.

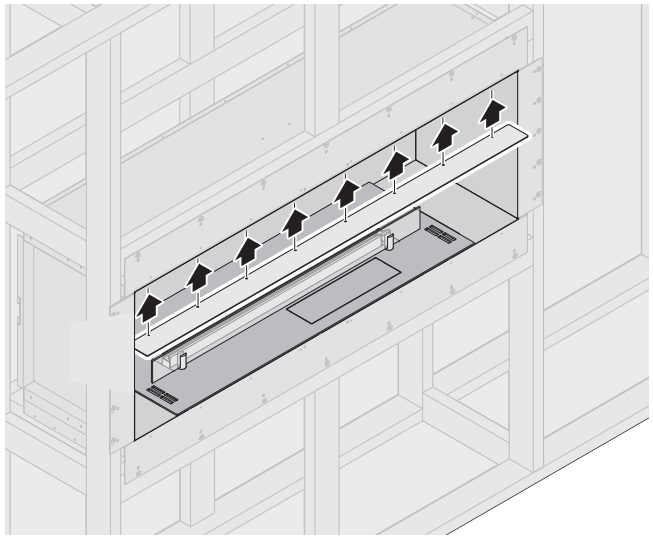
Install the unit in the installation box.

➔ “4.9 Installing the unit” (page 20).

Install the glass panel.

➔ “4.10 Installing the glass panel” (page 21).

10.3.1 / 10



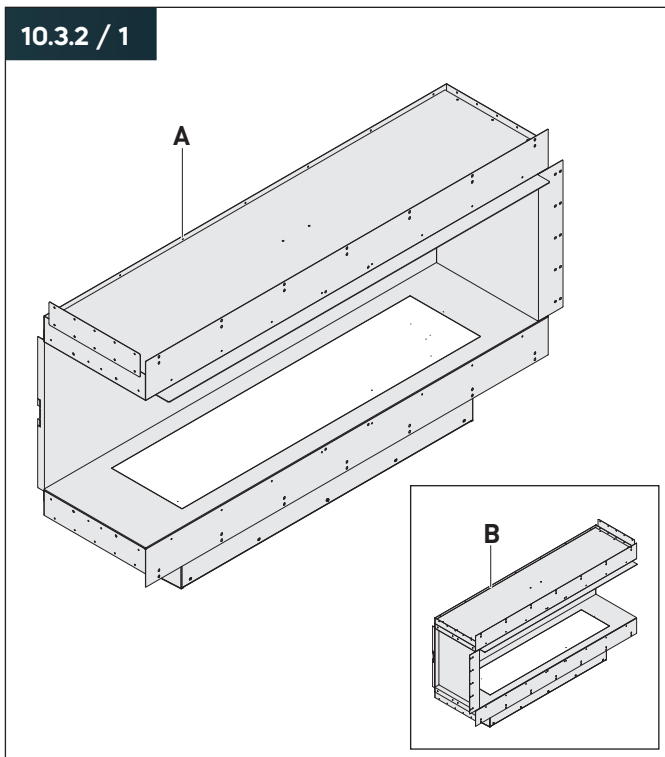
If the cladding material above the installation box is flammable:

- ▶ Screw the deflector to the cladding material at the upper edge of the visible side of the installation box.

10.3.2 Box 2L / 2R

Product overview

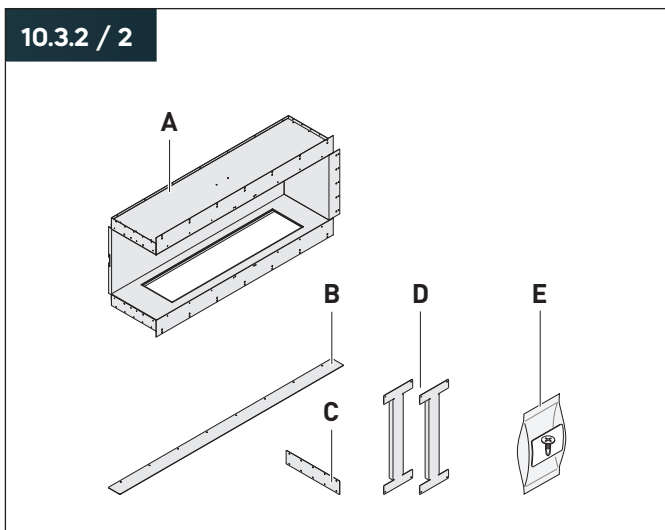
10.3.2 / 1



- A Box 2L
- B Box 2R

Scope of delivery

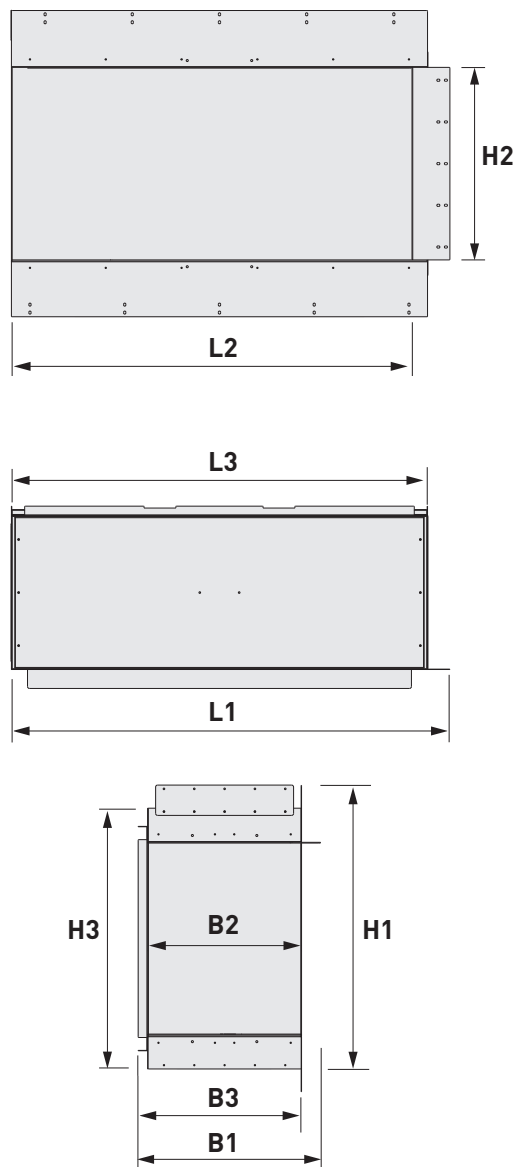
10.3.2 / 2



- A Installation box
- B Deflector
- C Short mounting strip
- D Steel supports
- E Screw set

Dimensions

10.3.2 / 3



- L1 Total length¹
- L2 Length of installation box interior
- L3 Length of installation box exterior
- B1 Total width¹
- B2 Width of installation box interior
- B3 Width of installation box exterior
- H1 Total height¹
- H2 Height of installation box interior
- H3 Height of installation box exterior

¹ With screens, mounting strips and deflectors.

Dimensions (mm)	Box 2L / 2R 800	Box 2L / 2R 1000	Box 2L / 2R 1200	Box 2L / 2R 1500
L1	1157	1360	1665	1970
L2	1057	1260	1565	1870
L3	1099	1302	1607	1912
B1	481	481	481	481
B2	406	406	406	406
B3	431	431	431	431
H1	808	808	808	808
H2	508	508	508	508
H3	688	688	688	688

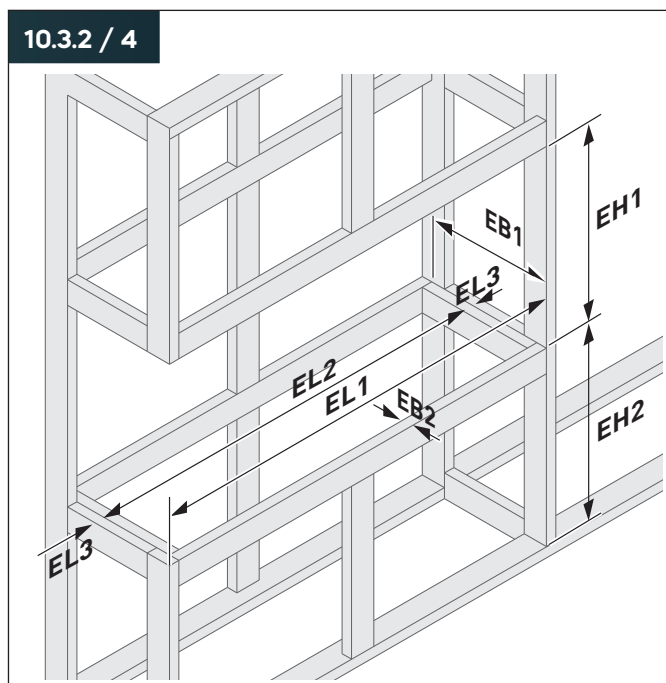
Weight

Weight (kg)	Box 2L / 2R 800	Box 2L / 2R 1000	Box 2L / 2R 1200	Box 2L / 2R 1500
With LINE	62.8	72.2	87.4	102.8
With LINE+	70.7	83.2	98.4	115.8

Installation of Box 2L / 2R

The figures show the installation of box 2L. Box 2R is reversed.

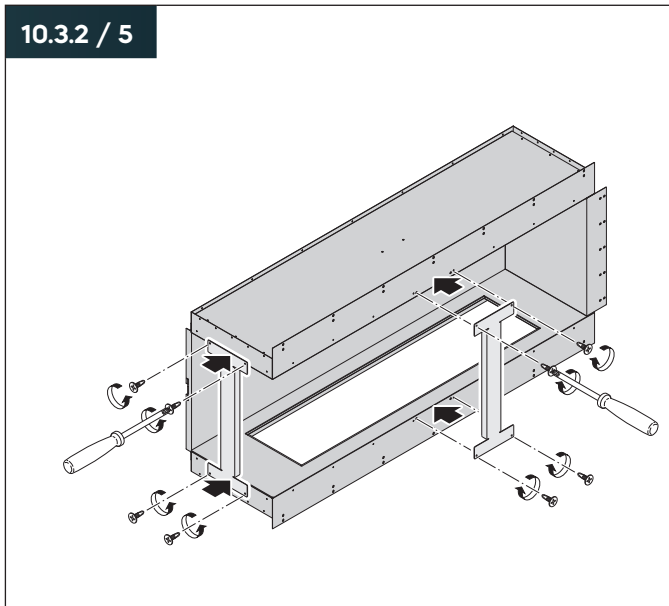
- ▶ Adhere to the safety instructions for installation.
 - "4.1 Safety information for assembly" (page 13).
- ▶ Check that the prerequisites for installation. are met.
 - "4.2 Requirements for assembly" (page 13).
- ▶ Check that the installation site meets all requirements.
 - "4.3 Requirements for the installation space" (page 13).
- ▶ Create an installation opening with the following dimensions:



Dimensions (mm)	Box 2L / 2R 800	Box 2L / 2R 1000	Box 2L / 2R 1200	Box 2L / 2R 1500
EL1	1120	1320	1630	1930
EL2	minimum 820	1020	1230	1530
EL3	maximum 150	150	200	200
EB1	450	450	450	450
EB2	maximum 50	50	50	50
EH1	710	710	710	710
EH2	minimum 240	240	240	240

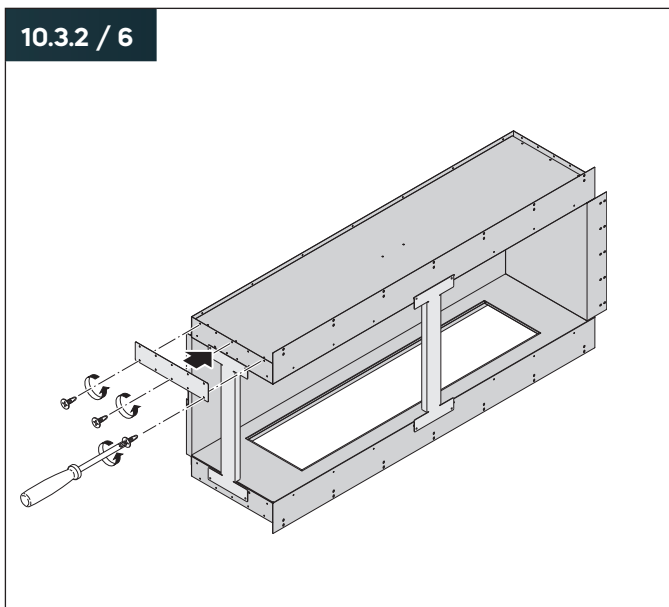
Accessories

10.3.2 / 5



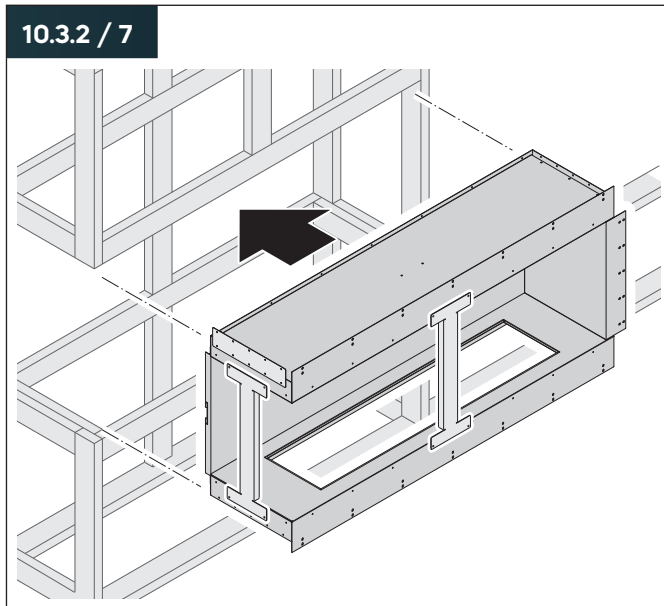
- ▶ Place the two steel supports centrally on the open sides of the installation box.
- ▶ Ensure that the holes of the steel supports and the installation box line up.
- ▶ Screw the steel supports in place.

10.3.2 / 6



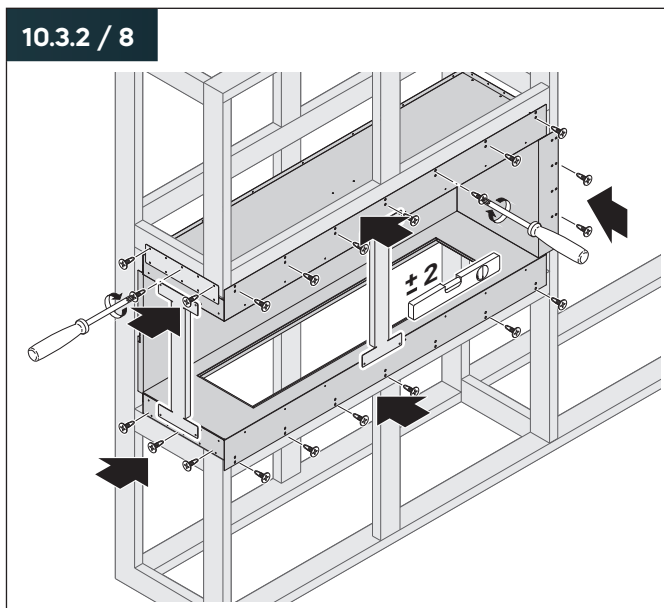
- ▶ Screw the short mounting strip to the installation box:
 - On the open short side.
 - Above the steel support.

10.3.2 / 7



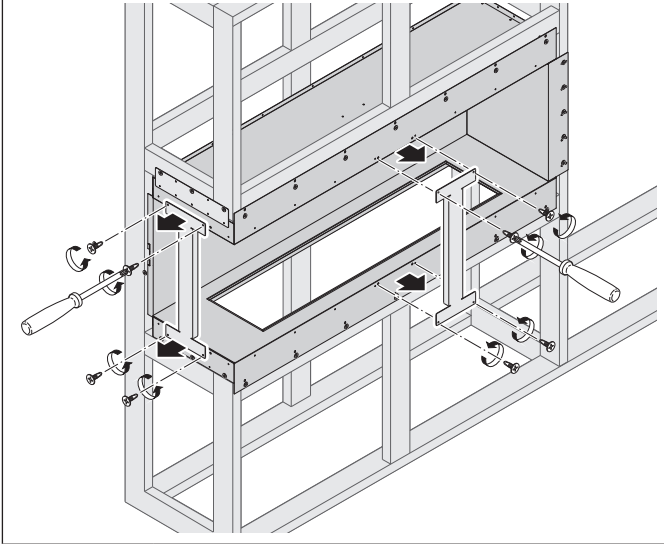
- ▶ Position the installation box in the installation opening.

10.3.2 / 8



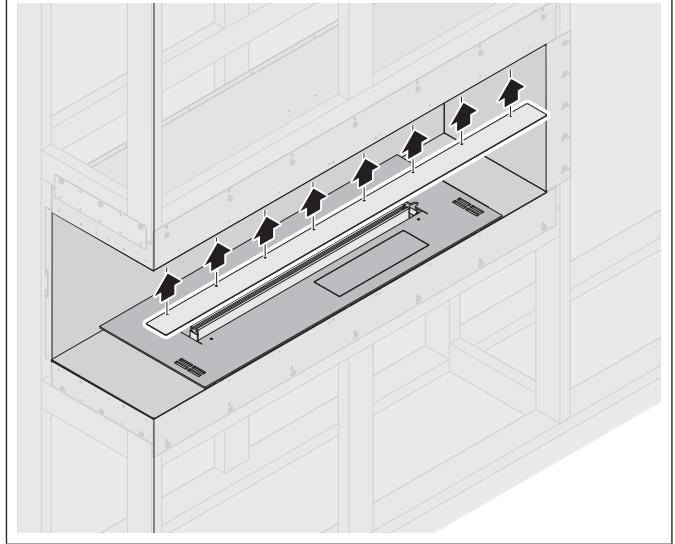
- ▶ Align the installation box horizontally.
- ▶ Screw the installation box to the frame structure of the installation opening.
- ▶ Screw the short mounting strip to the frame structure of the installation opening.

10.3.2 / 9



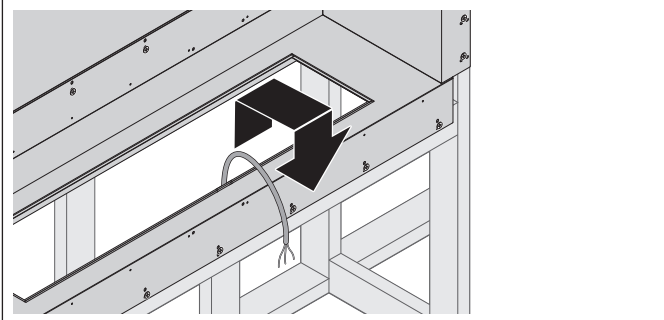
- ▶ Undo the screws of the steel supports.
- ▶ Remove the steel supports.

10.3.2 / 11



- If the cladding material above the installation box is flammable:
- ▶ Screw the deflector to the cladding material at the upper edge of the visible side of the installation box.

10.3.2 / 10



- ▶ Make sure that a sufficient length of the cable of the on-site electrical supply line is accessible underneath the installation box.
- ▶ Cover the frame structure of the installation opening according to your installation situation.
- ▶ Ensure that visible edges of the cladding material are covered by screens or other covers.

Install the unit in the installation box.

- ➔ “4.9 Installing the unit” (page 20).

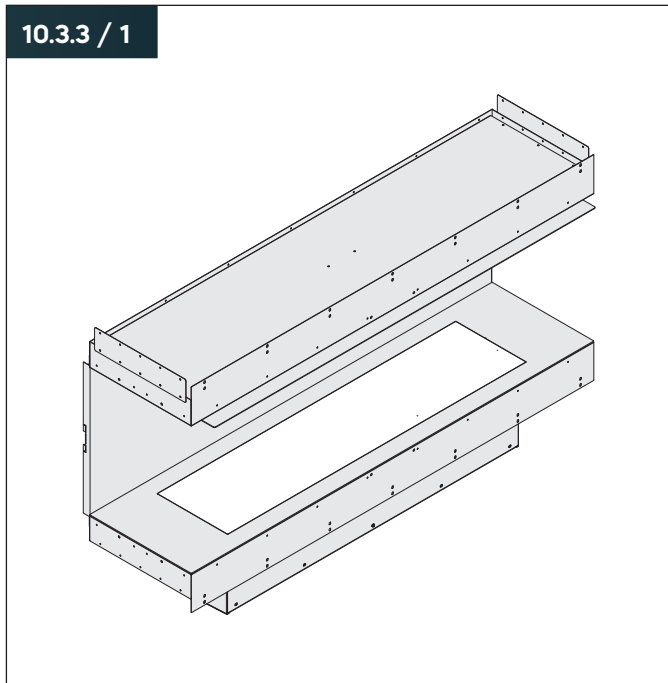
Install the glass panel.

- ➔ “4.10 Installing the glass panel” (page 21).

10.3.3 Box 3RL

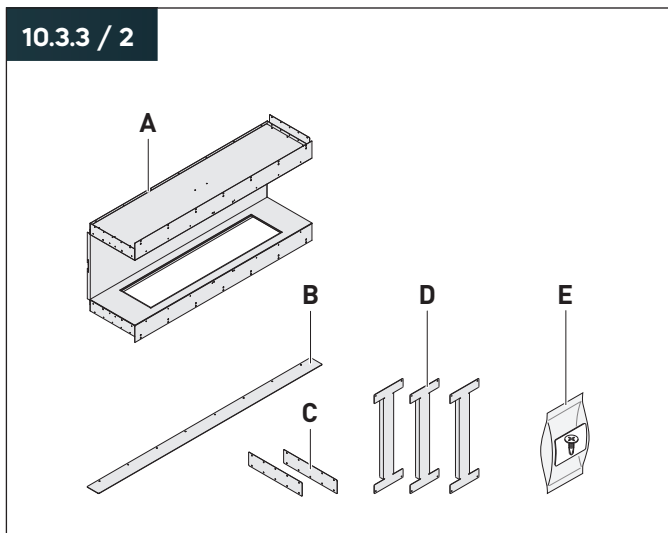
Product overview

10.3.3 / 1



Scope of delivery

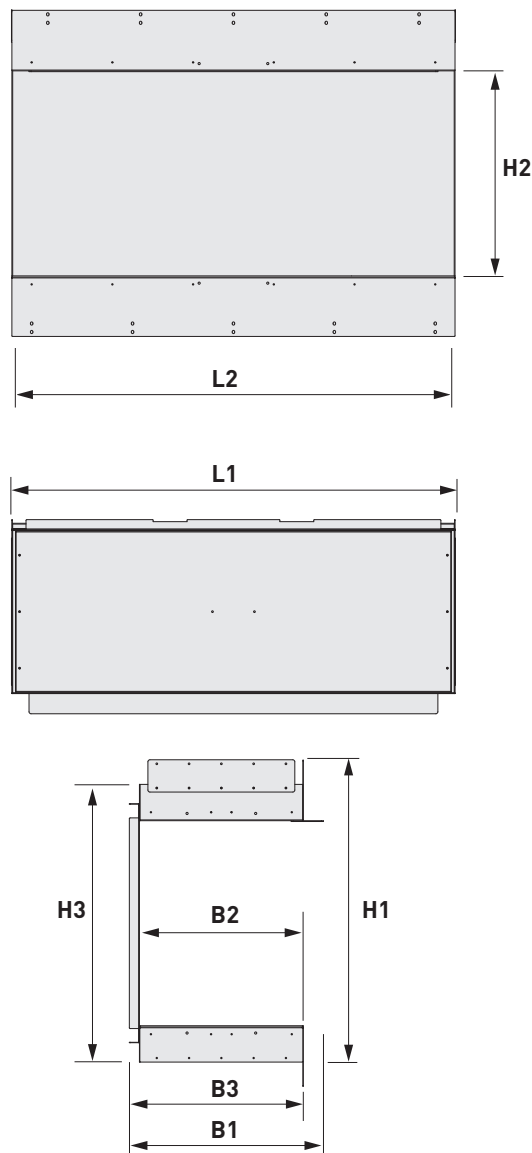
10.3.3 / 2



- A** Installation box
- B** Deflector
- C** Short mounting strips
- D** Steel supports
- E** Screw set

Dimensions

10.3.3 / 3



- L1 Total length¹
- L2 Length of installation box interior
- B1 Total width¹
- B2 Width of installation box interior
- B3 Width of installation box exterior
- H1 Total height¹
- H2 Height of installation box interior
- H3 Height of installation box exterior

¹ With screens, mounting strips and deflectors.

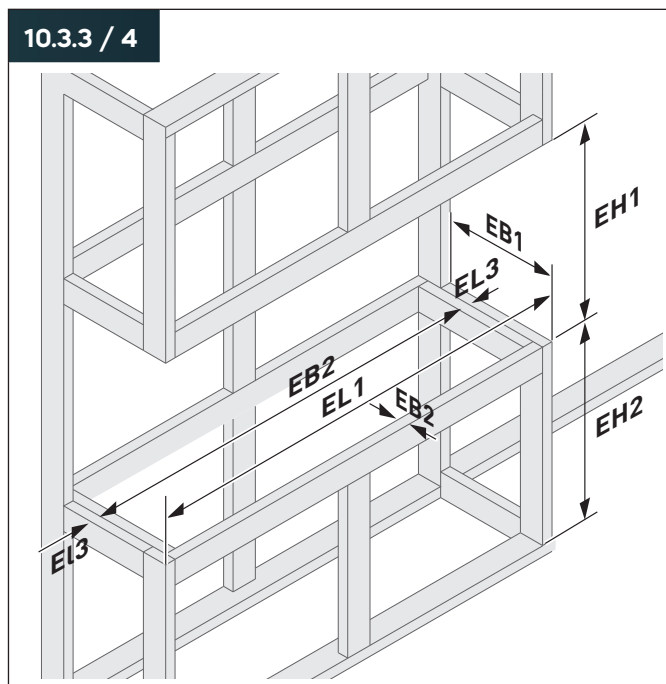
Dimensions (mm)	Box 3RL 800	Box 3RL 1000	Box 3RL 1200	Box 3RL 1500
L1	1098	1301	1606	1911
L2	1098	1301	1606	1911
B1	481	481	481	481
B2	406	406	406	406
B3	431	431	431	431
H1	808	808	808	808
H2	508	508	508	508
H3	688	688	688	688

Weight

Weight (kg)	Box 3RL 800	Box 3RL 1000	Box 3RL 1200	Box 3RL 1500
With LINE	60.4	69.8	84.9	100.4
With LINE+	68.3	80.8	95.9	113.4

Installation of Box 3RL

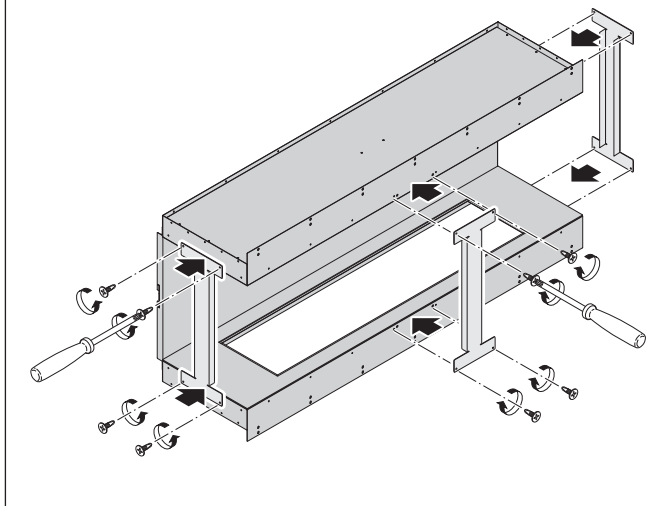
- ▶ Adhere to the safety instructions for installation.
 - "4.1 Safety information for assembly" (page 13).
- ▶ Check that the prerequisites for installation. are met.
 - "4.2 Requirements for assembly" (page 13).
- ▶ Check that the installation site meets all requirements.
 - "4.3 Requirements for the installation space" (page 13).
- ▶ Create an installation opening with the following dimensions:



Dimensions (mm)	Box 3RL 800	Box 3RL 1000	Box 3RL 1200	Box 3RL 1500
EL1	1098	1301	1606	1911
EL2	minimum	820	1020	1230
EL3	maximum	150	150	200
EB1	450	450	450	450
EB2	maximum	50	50	50
EH1	710	710	710	710
EH2	minimum	240	240	240

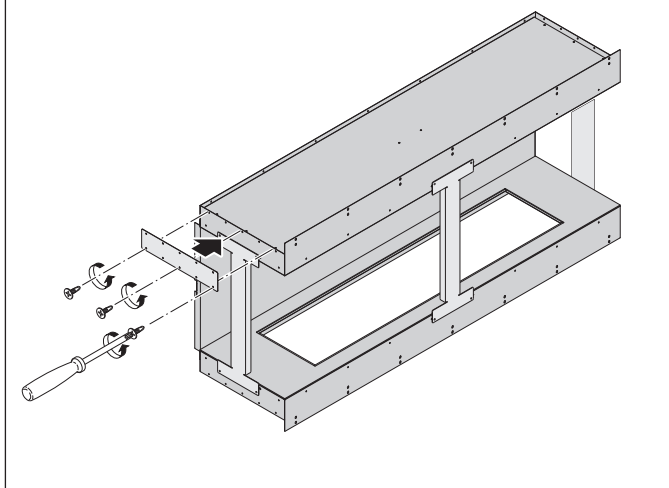
Accessories

10.3.3 / 5



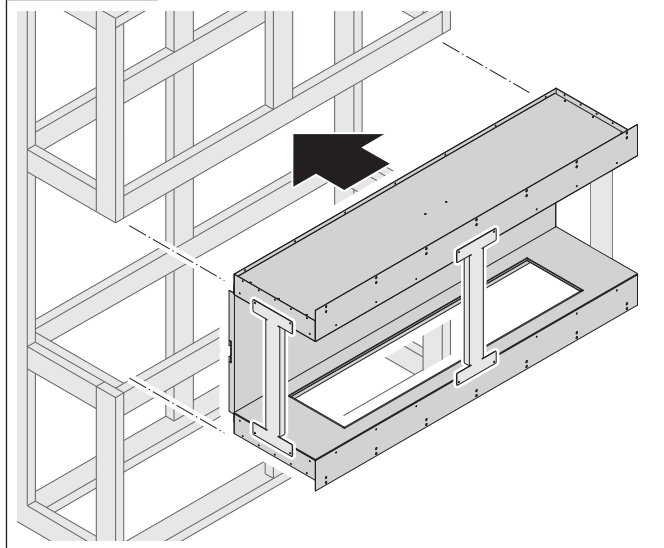
- ▶ Place the steel supports centrally on the visible side and the two short sides of the installation box.
- ▶ Ensure that the holes of the steel supports and the installation box line up.
- ▶ Screw the steel supports in place.

10.3.3 / 6



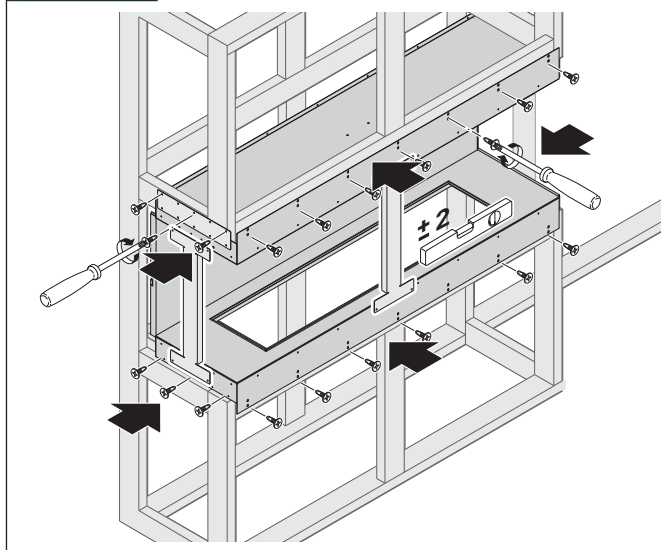
- ▶ Screw a short mounting strip to the installation box:
 - On the left short side.
 - Above the steel support.

10.3.3 / 7



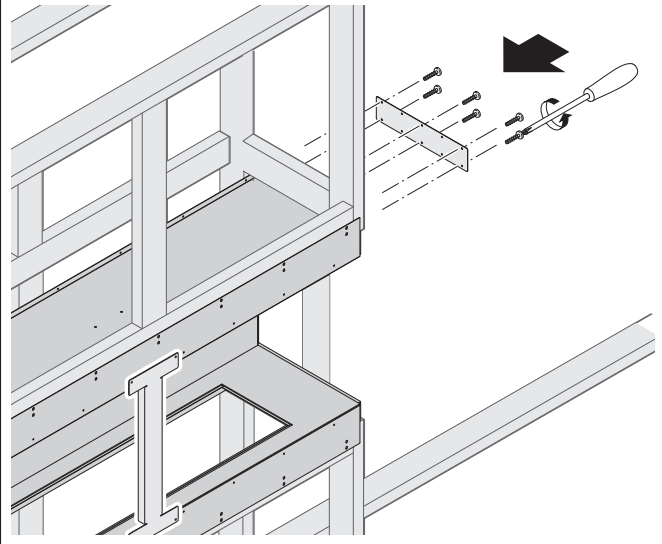
- ▶ Position the installation box in the installation opening.

10.3.3 / 8



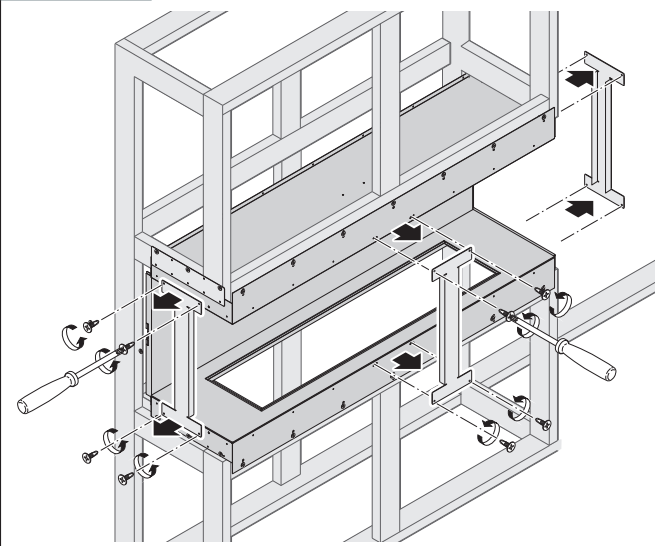
- ▶ Align the installation box horizontally.
- ▶ Screw the installation box to the frame structure of the installation opening.
Screw the short mounting strip to the frame structure of the installation opening on the left short side.

10.3.3 / 9



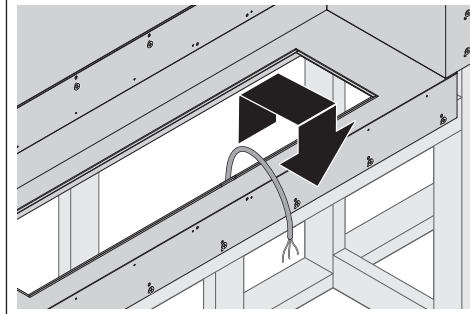
- ▶ Screw a short mounting strip to the installation box:
 - On the right short side.
 - Above the steel support.
- ▶ Screw the short mounting strip to the frame structure of the installation opening.

10.3.3 / 10



- ▶ Undo the screws of the steel supports.
- ▶ Remove the steel supports.

10.3.3 / 11



- ▶ Make sure that a sufficient length of the cable of the on-site electrical supply line is accessible underneath the installation box.
- ▶ Cover the frame structure of the installation opening according to your installation situation.
- ▶ Ensure that visible edges of the cladding material are covered by screens or other covers.

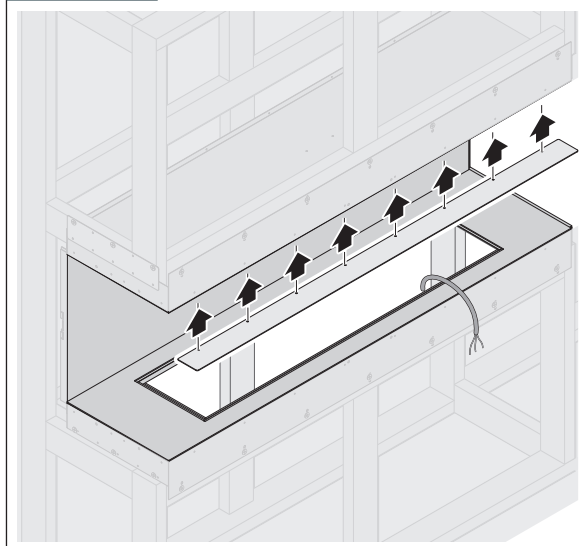
Install the unit in the installation box.

- ➔ “4.9 Installing the unit” (page 20).

Install the glass panel.

- ➔ “4.10 Installing the glass panel” (page 21).

10.3.3 / 12



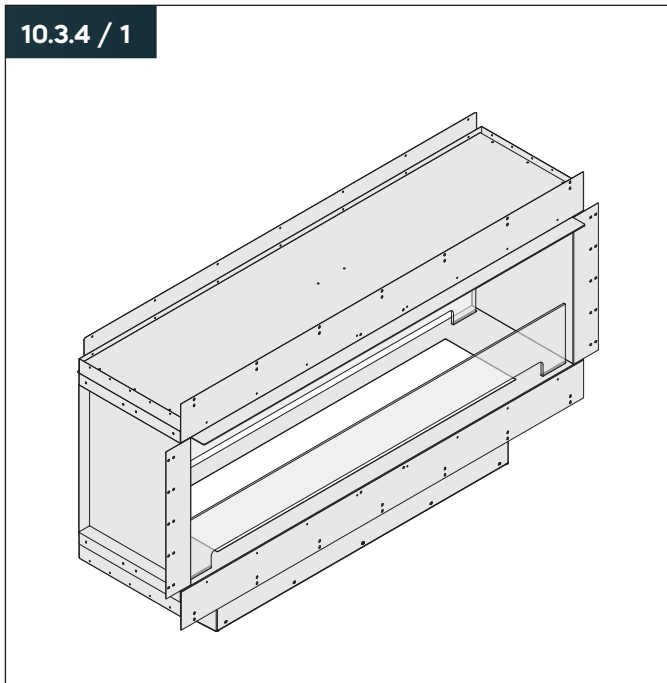
If the cladding material above the installation box is flammable:

- ▶ Screw the deflector to the cladding material at the upper edge of the visible side of the installation box.

10.3.4 Box FD

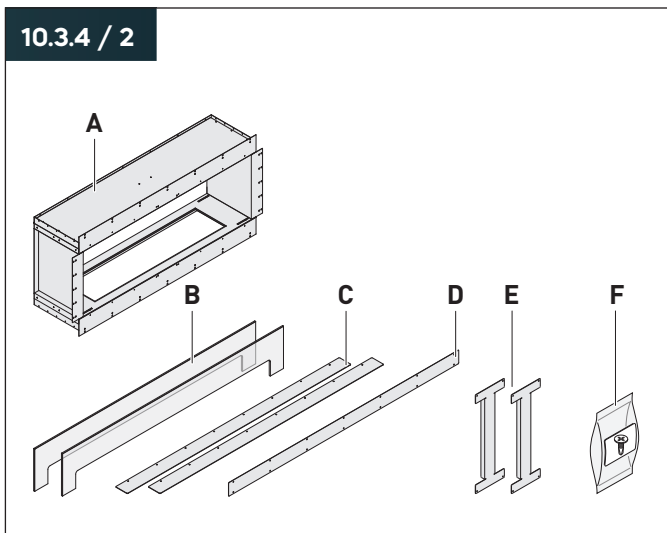
Product overview

10.3.4 / 1



Scope of delivery

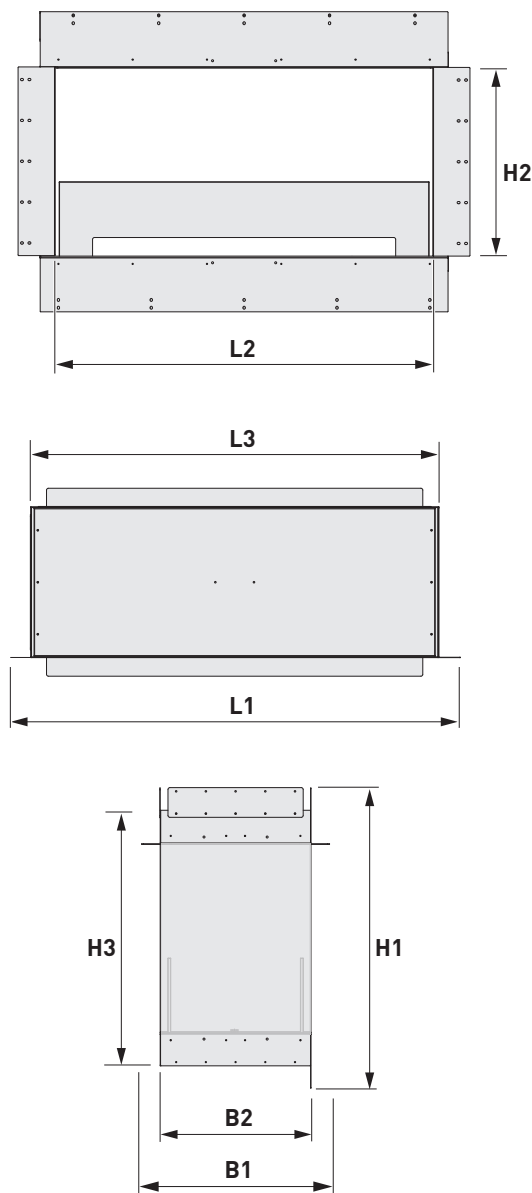
10.3.4 / 2



- A** Installation box
- B** Glass panes (LINE / LINE+ 1500: 4 x)
- C** Deflectors
- D** Long mounting strip
- E** Steel supports
- F** Screw set

Dimensions

10.3.4 / 3



- L1 Total length¹
- L2 Length of installation box interior
- L3 Length of installation box exterior
- B1 Total width¹
- B2 Width of installation box interior
- H1 Total height¹
- H2 Height of installation box interior
- H3 Height of installation box exterior

¹ With screens, mounting strips and deflectors.

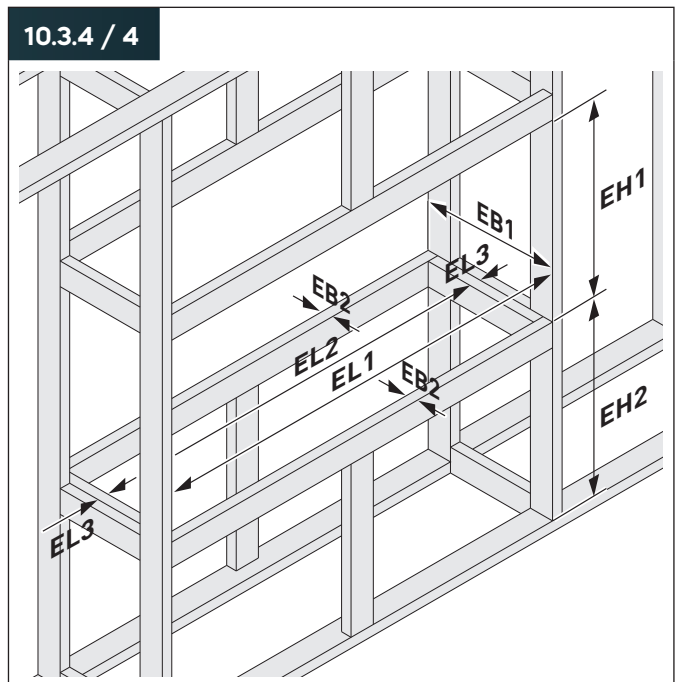
Dimensions (mm)	Box FD 800	Box FD 1000	Box FD 1200	Box FD 1500
L1	1216	1419	1724	2029
L2	1016	1219	1524	1829
L3	1100	1303	1607	1913
B1	506	506	506	506
B2	406	406	406	406
H1	780	780	780	780
H2	508	508	508	508
H3	688	688	688	688

Weight

Weight (kg)	Box FD 800	Box FD 1000	Box FD 1200	Box FD 1500
With LINE	62.9	71.9	86.4	101.3
With LINE+	70.8	82.9	97.4	114.3

Installation

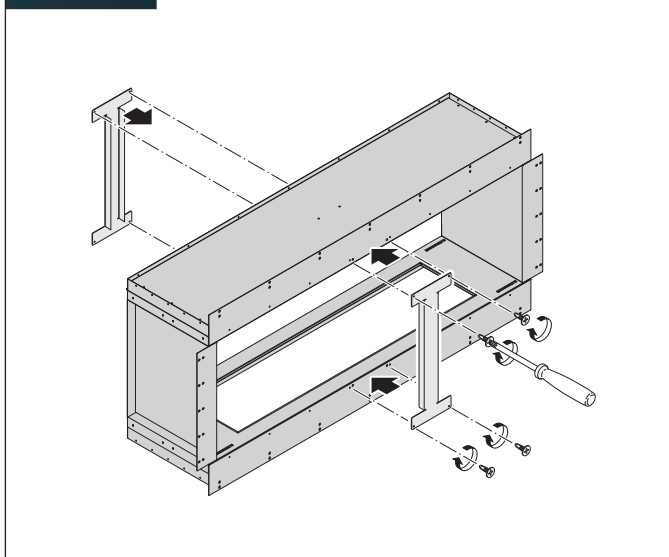
- ▶ Adhere to the safety instructions for installation.
 - "4.1 Safety information for assembly" (page 13).
- ▶ Check that the prerequisites for installation. are met.
 - "4.2 Requirements for assembly" (page 13).
- ▶ Check that the installation site meets all requirements.
 - "4.3 Requirements for the installation space" (page 13).
- ▶ Create an installation opening with the following dimensions:



Dimensions (mm)	Box FD 800	Box FD 1000	Box FD 1200	Box FD 1500
EL1	1120	1320	1630	1930
EL2 minimum	820	1020	1230	1530
EL3 maximum	150	150	200	200
EB1	406	406	406	406
EB2 maximum	50	50	50	50
EH1	710	710	710	710
EH2 minimum	240	240	240	240

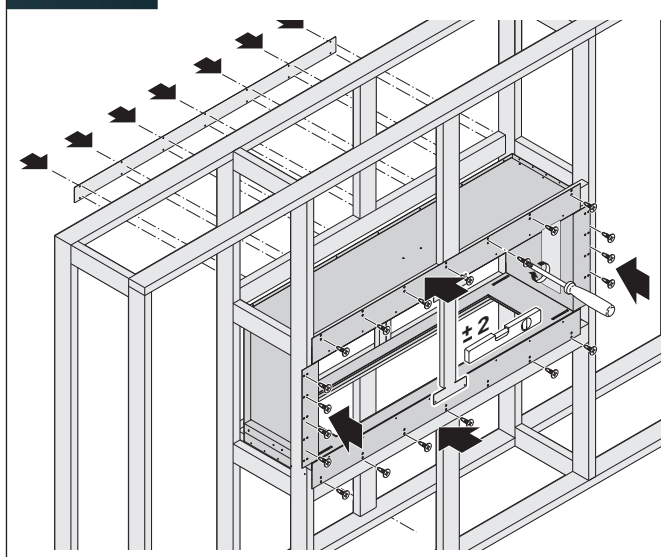
Accessories

10.3.4 / 5



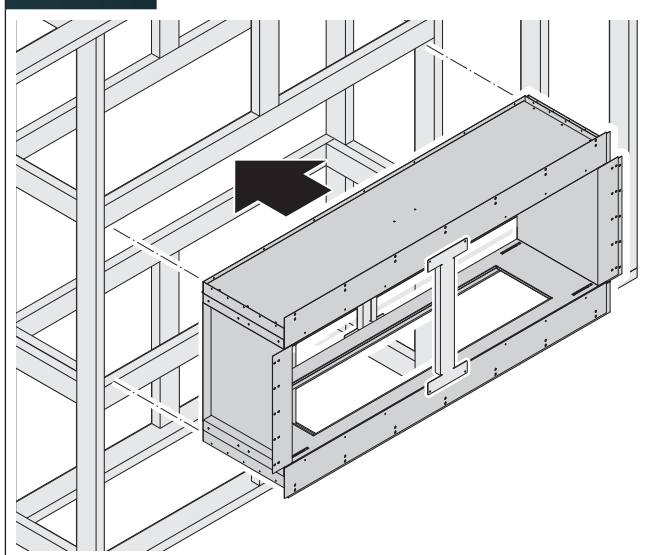
- ▶ Position the steel supports centrally on the front and back side of the installation box.
- ▶ Ensure that the holes of the steel supports and the installation box line up.
- ▶ Screw the steel supports in place.

10.3.4 / 7



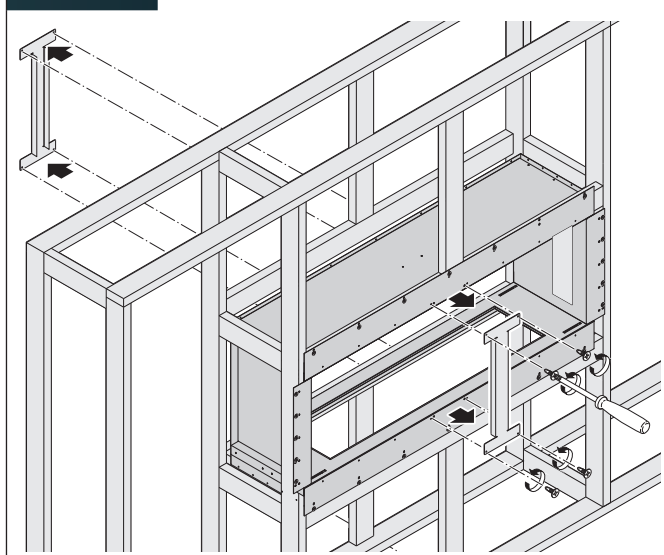
- ▶ Align the installation box horizontally.
- ▶ Screw the installation box to the frame structure of the installation opening.
Screw the long mounting strip to the rear of the installation box.
- ▶ Screw the long mounting strip to the frame structure of the installation opening.

10.3.4 / 6



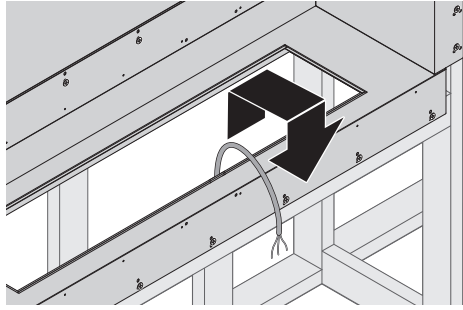
- ▶ Position the installation box in the installation opening.

10.3.4 / 8



- ▶ Undo the screws of the steel supports.
- ▶ Remove the steel supports.

10.3.4 / 9

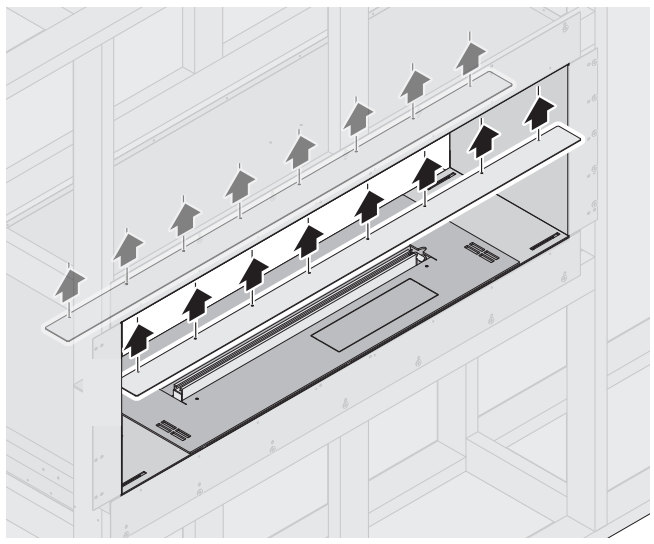


- ▶ Make sure that a sufficient length of the cable of the on-site electrical supply line is accessible underneath the installation box.
- ▶ Cover the frame structure of the installation opening according to your installation situation.
- ▶ Ensure that visible edges of the cladding material are covered by screens or other covers.

Install the unit in the installation box.

➔ “4.9 Installing the unit” (page 20).

10.3.4 / 10



If the cladding material above the installation box is flammable:

- ▶ Screw the deflectors to the cladding material at the upper edge of the visible sides of the installation box.

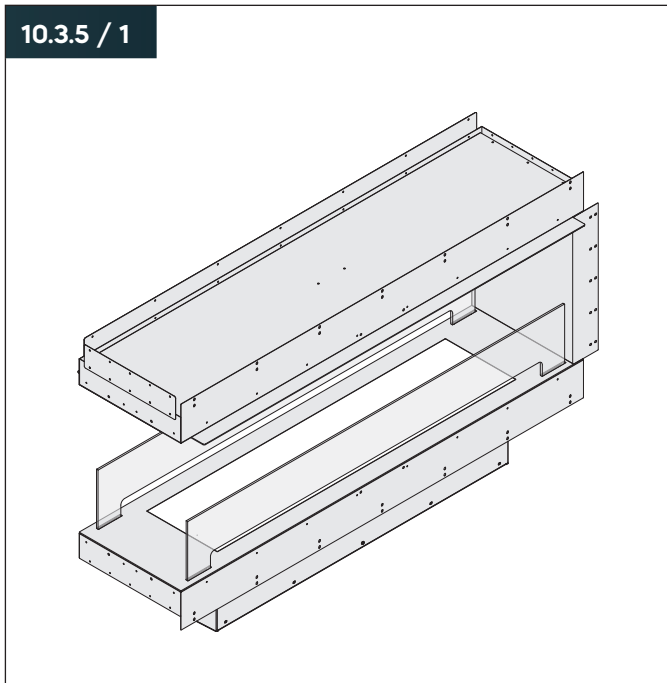
Install the glass panes.

➔ “4.11 Installing the glass panes” (page 22).

10.3.5 Box U

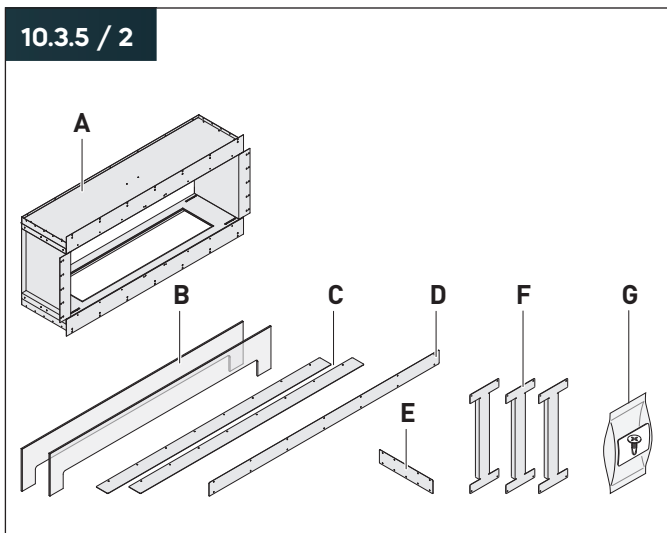
Product overview

10.3.5 / 1



Scope of delivery

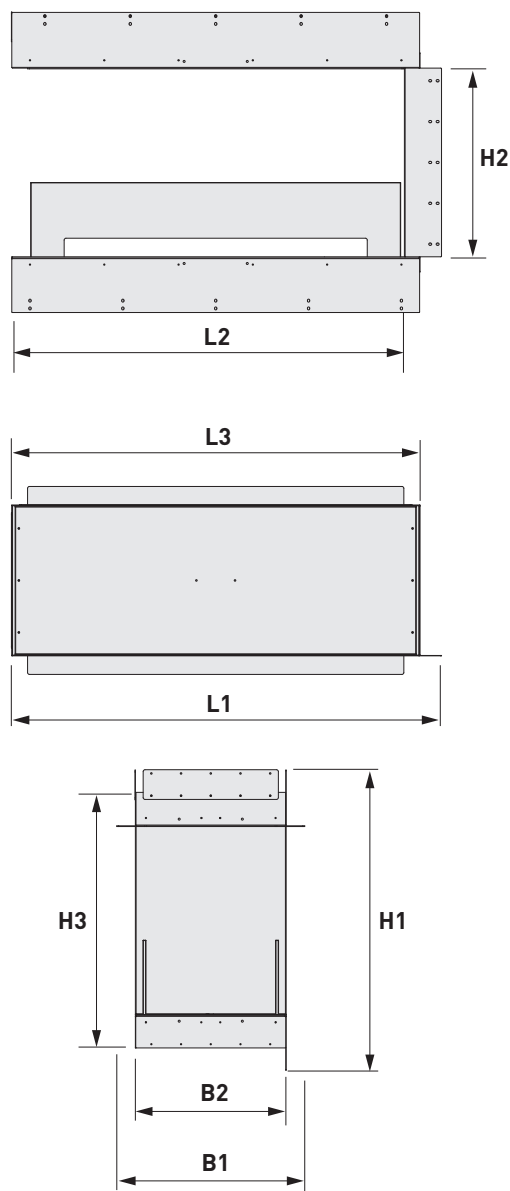
10.3.5 / 2



- A** Installation box
- B** Glass panes (LINE / LINE+ 1500: 4 x)
- C** Deflectors
- D** Long mounting strip
- E** Short mounting strip
- F** Steel supports
- G** Screw set

Dimensions

10.3.5 / 3



- L1 Total length¹
- L2 Length of installation box interior
- L3 Length of installation box exterior
- B1 Total width¹
- B2 Width of installation box interior
- H1 Total height¹
- H2 Height of installation box interior
- H3 Height of installation box exterior

¹ With screens, mounting strips and deflectors.

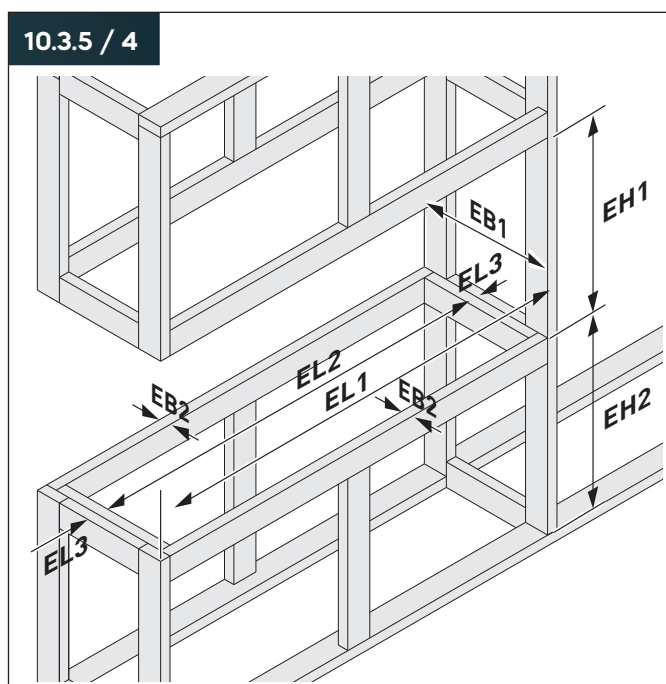
Dimensions (mm)	Box U 800	Box U 1000	Box U 1200	Box U 1500
L1	1157	1360	1665	1970
L2	1057	1260	1565	1870
L3	1099	1302	1607	1912
B1	506	506	506	506
B2	406	406	406	406
H1	808	808	808	808
H2	508	508	508	508
H3	688	688	688	688

Weight

Weight (kg)	Box U 800	Box U 1000	Box U 1200	Box U 1500
With LINE	60.5	69.4	84.1	98.9
With LINE+	68.4	80.4	95.1	111.8

Installation of Box U

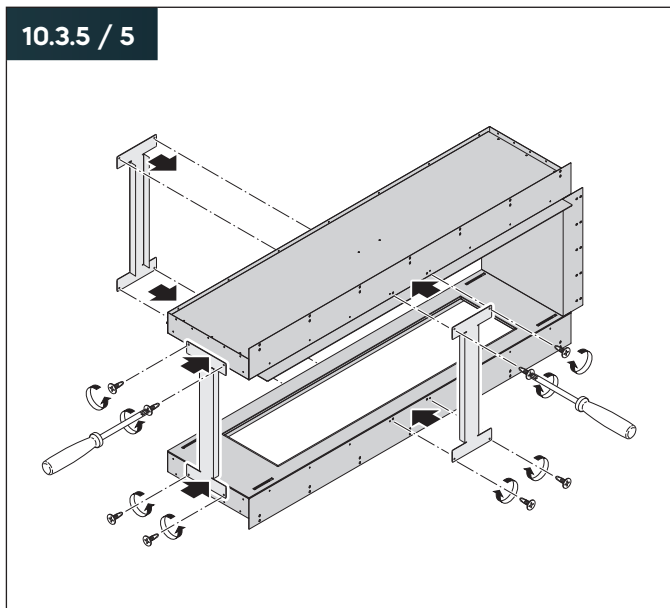
- ▶ Adhere to the safety instructions for installation.
 - "4.1 Safety information for assembly" (page 13).
- ▶ Check that the prerequisites for installation. are met.
 - "4.2 Requirements for assembly" (page 13).
- ▶ Check that the installation site meets all requirements.
 - "4.3 Requirements for the installation space" (page 13).
- ▶ Create an installation opening with the following dimensions:



Dimensions (mm)	Box U 800	Box U 1000	Box U 1200	Box U 1500
EL1	1120	1320	1630	1930
EL2	minimum	820	1020	1230
EL3	maximum	150	150	200
EB1	406	406	406	406
EB2	maximum	50	50	50
EH1	710	710	710	710
EH2	minimum	240	240	240

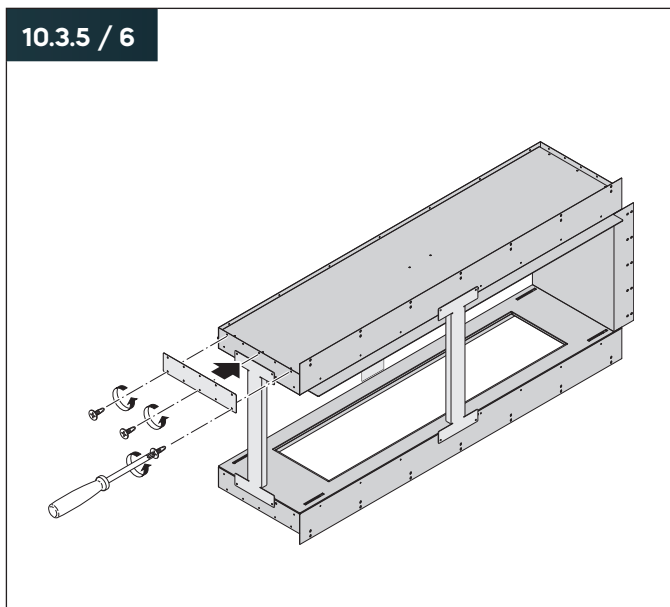
Accessories

10.3.5 / 5



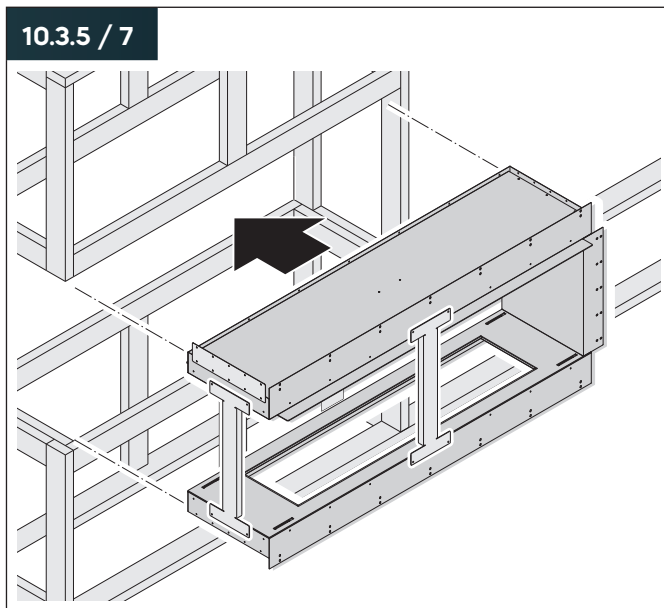
- ▶ Place the steel supports centrally on the open sides of the installation box.
- ▶ Ensure that the holes of the steel supports and the installation box line up.
- ▶ Screw the steel supports in place.

10.3.5 / 6



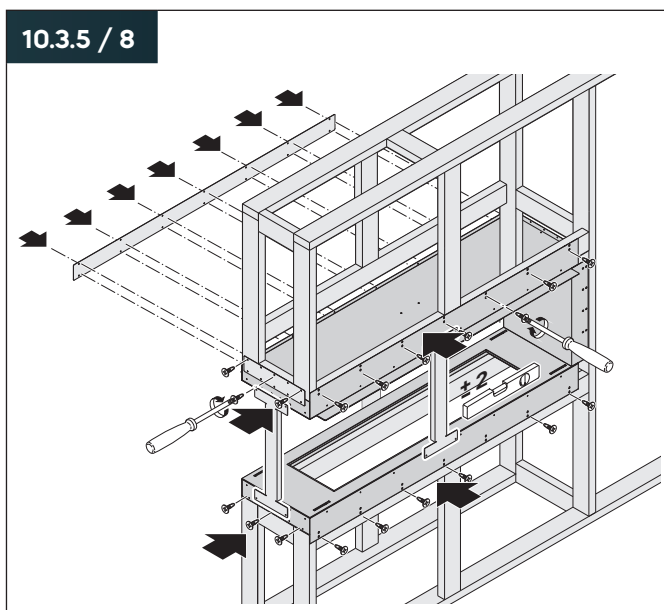
- ▶ Screw the short mounting strip to the installation box:
 - On the open short side.
 - Above the steel support.

10.3.5 / 7



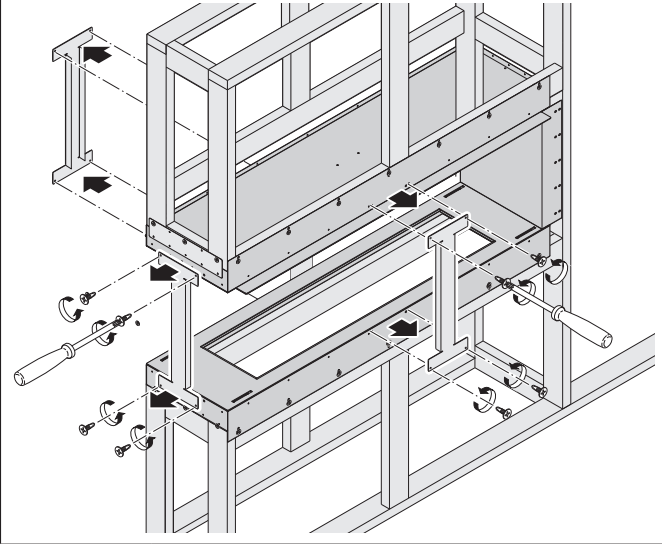
- ▶ Position the installation box in the installation opening.

10.3.5 / 8



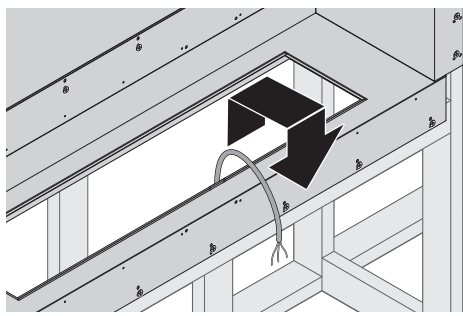
- ▶ Align the installation box horizontally.
- ▶ Screw the installation box to the frame structure of the installation opening.
Screw the short mounting strip to the frame structure of the installation opening.
- ▶ Screw the long mounting strip to the rear of the installation box.
- ▶ Screw the long mounting strip to the frame structure of the installation opening.

10.3.5 / 9



- ▶ Undo the screws of the steel supports.
- ▶ Remove the steel supports.

10.3.5 / 10

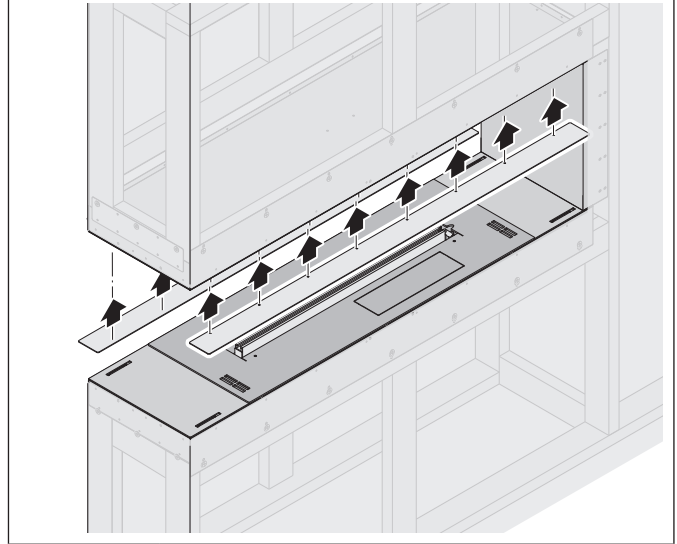


- ▶ Make sure that a sufficient length of the cable of the on-site electrical supply line is accessible underneath the installation box.
- ▶ Cover the frame structure of the installation opening according to your installation situation.
- ▶ Ensure that visible edges of the cladding material are covered by screens or other covers.

Install the unit in the installation box.

- ➔ “4.9 Installing the unit” (page 20).

10.3.5 / 11



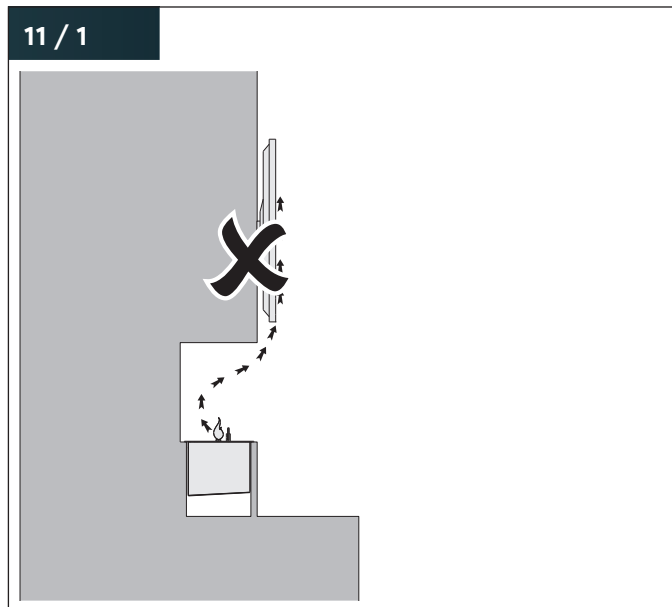
If the cladding material above the installation box is flammable:

- ▶ Screw the deflectors to the cladding material at the upper edge of the long side of the installation box:
- ▶ Install the glass panes.
 - ➔ “4.11 Installing the glass panes” (page 22).

Combination with televisions

11. Combination with televisions

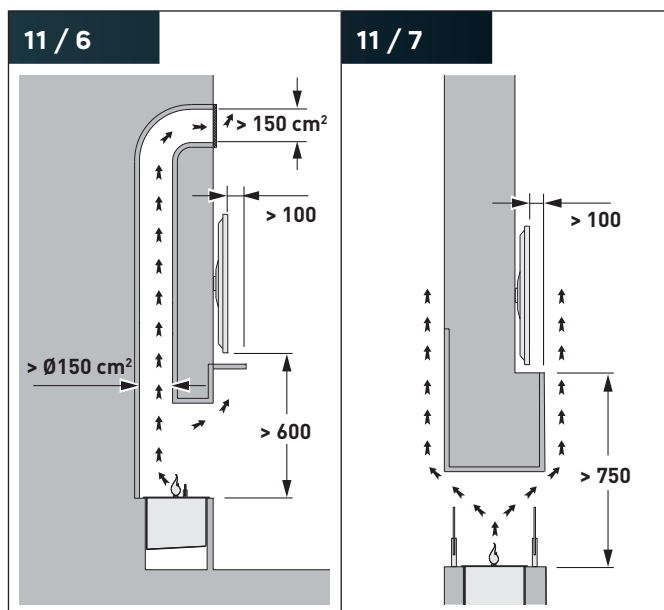
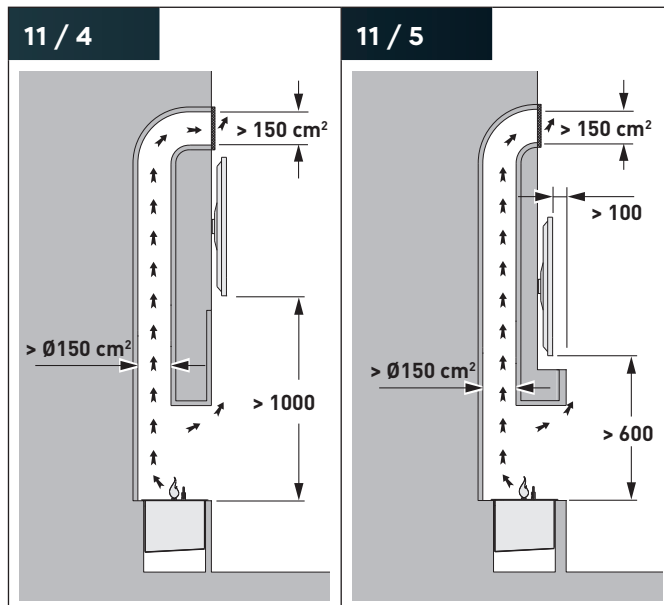
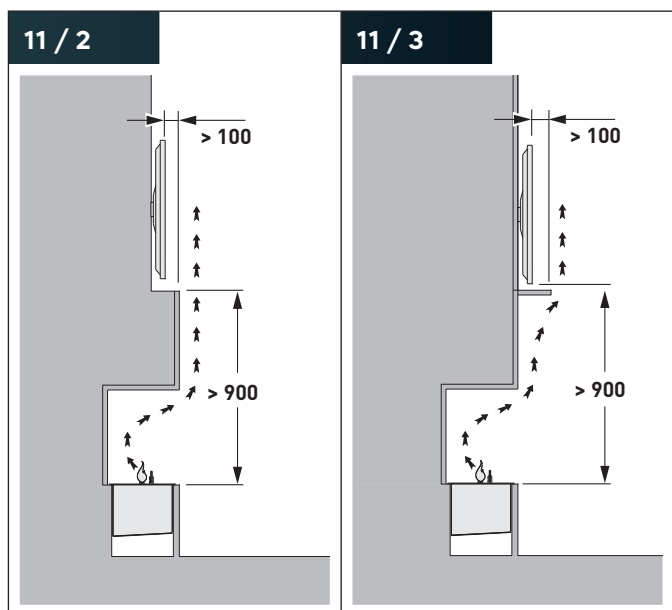
The following installation arrangement is not permitted:

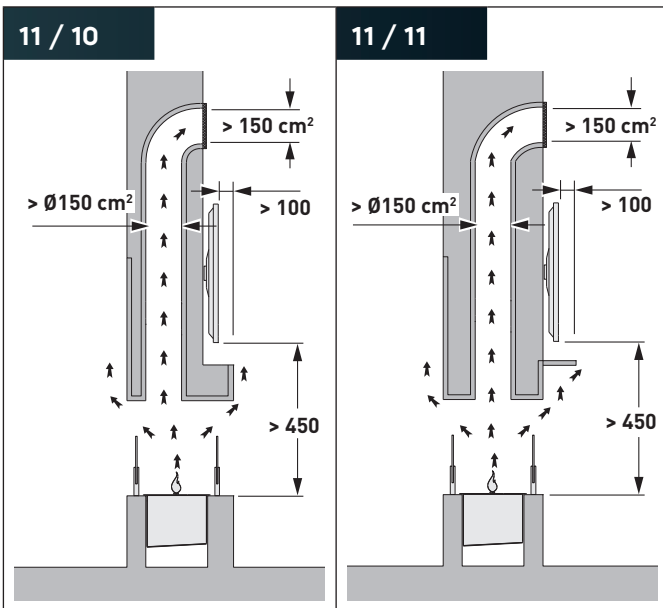
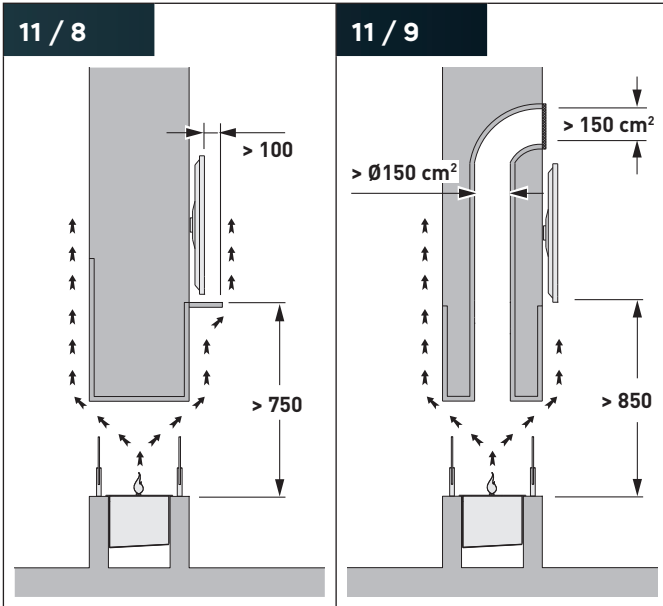


Examples of permissible installation arrangements

The installation arrangements in the figure 11 / 2 to 11 / 11 are permissible, provided the following is taken into account:

- Minimum distances.
- Minimum diameters.
- Minimum volume.
- Installation of deflectors.





12. Appendix

12.1 Warranty terms

The warranty terms and other information about the warranty are available on the manufacturer's website:

 <https://ebios-fire.com>

12.2 Standards and regulations

Relevant regulations – without claim to completeness:

- **2001/95/EC:** General Product Safety Directive.
- **2014/30/EU:** Electromagnetic Compatibility Directive.
- **2014/53/EU:** Directive on the provision of radio equipment.
- **DIN EN 55014-1 and 55014-2:** Electromagnetic compatibility - Requirements for household appliances, electric tools and similar electrical appliances.
- **DIN EN 60335-1:** Safety of household and similar electrical appliances.
- **DIN EN 60335-2:** Special requirements for gas, oil, and solid fuel appliances with electrical connections.
- **DIN EN IEC 61000-3-2, 61000-3-3 and 61000-6-3:** Electromagnetic compatibility (EMC) - Limits and emitted interference.
- **DIN EN 62233:2008:** Method for measuring the electromagnetic fields of household appliances and similar electrical equipment.

12.3 Declarations of conformity

The design and operating behaviour of this product comply with the European directives. This compliance is certified by the CE label.

If required and for additional information (e.g. brochures, spare parts, price lists):

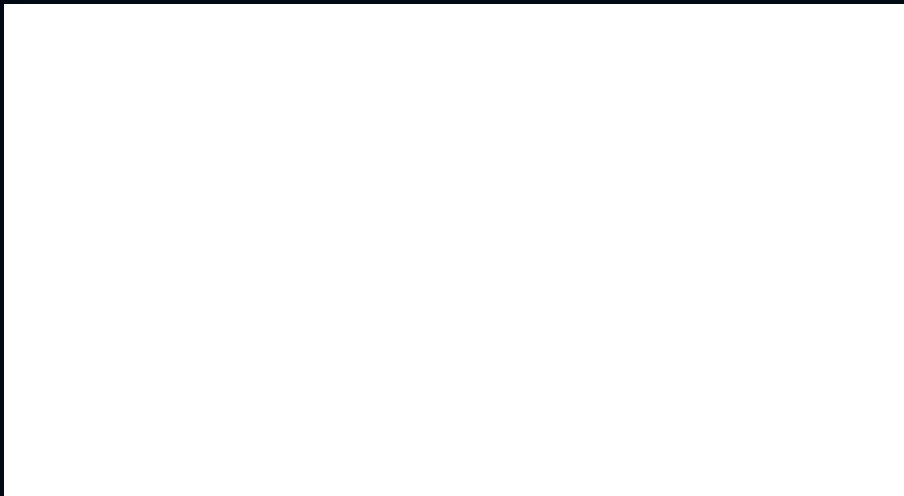
► Please contact the manufacturer or a specialist shop.

 <https://ebios-fire.com>

EBIOS FIRE

by SPARTHERM®

SPECIALIST DEALER



www.facebook.com/Spartherm

www.instagram.com/spartherm

www.youtube.com/sparthermgermany

www.ebios-fire.com

