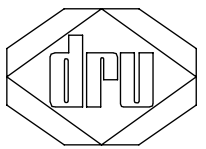
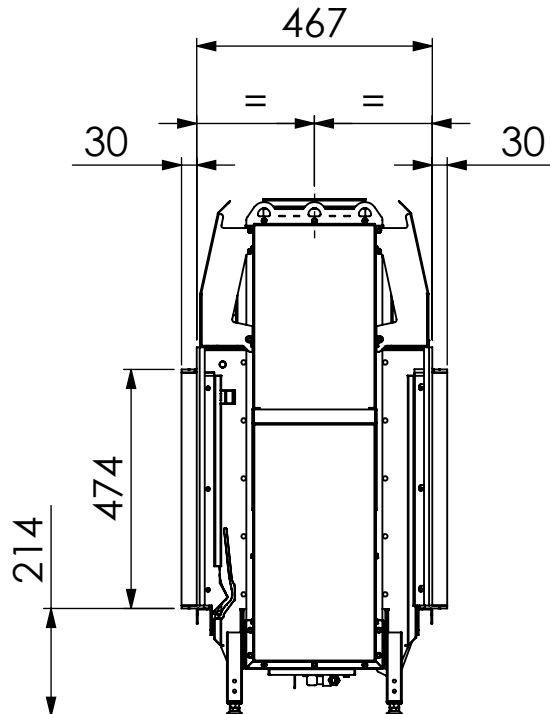
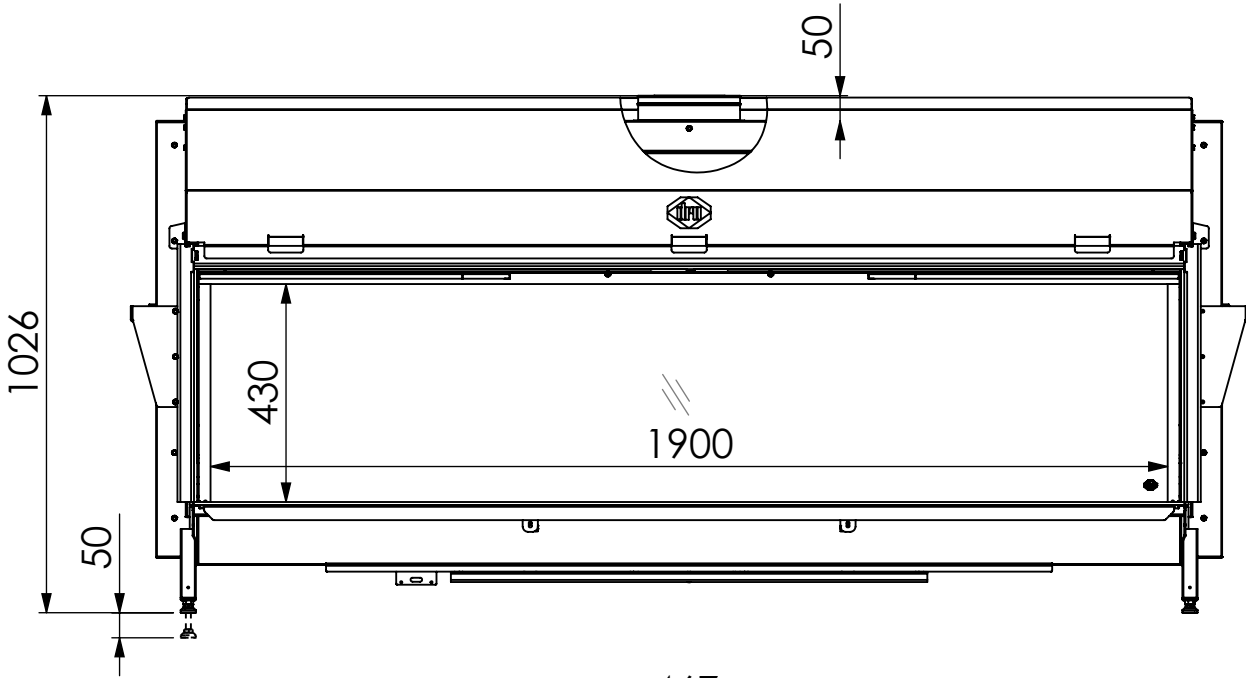
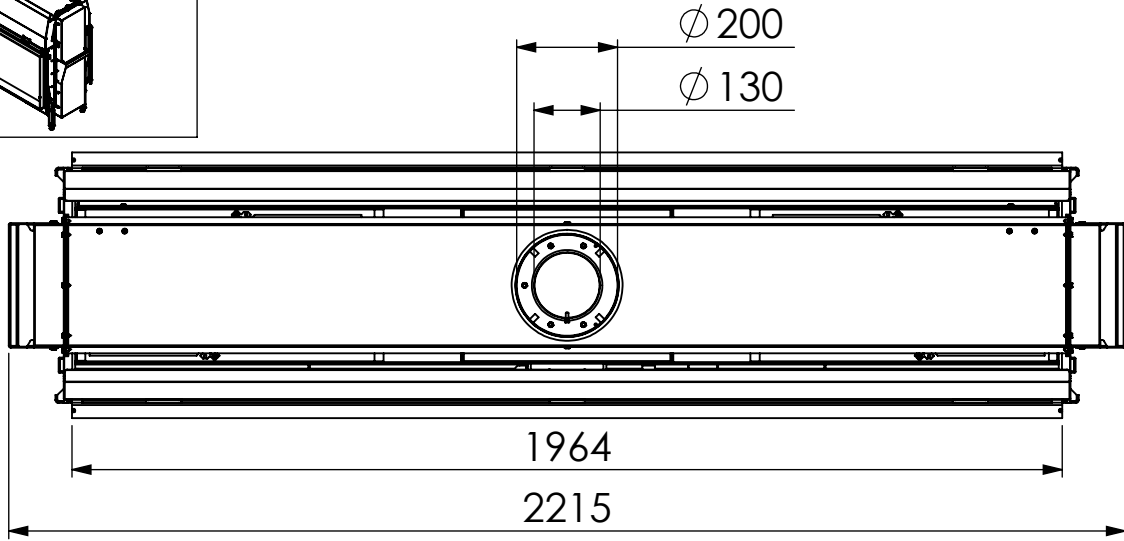
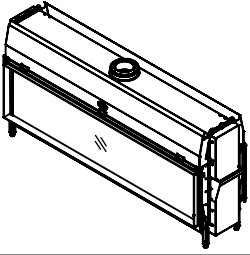
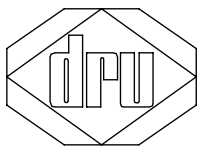
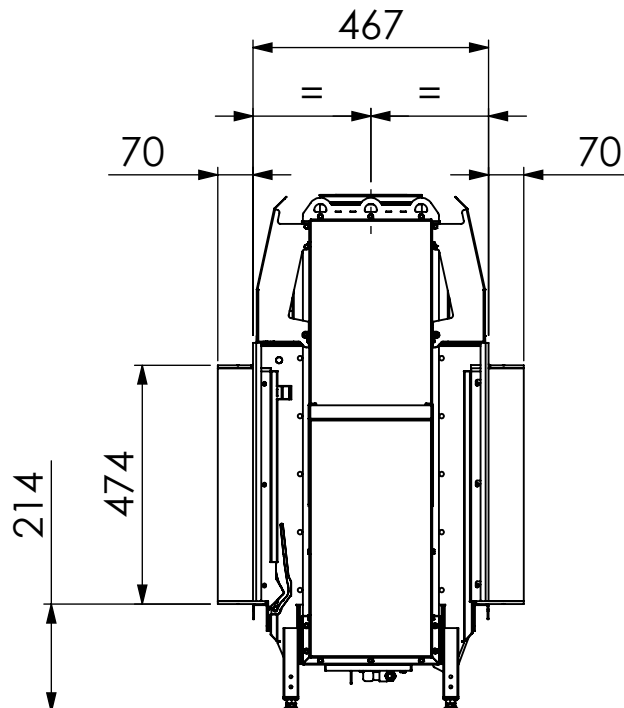
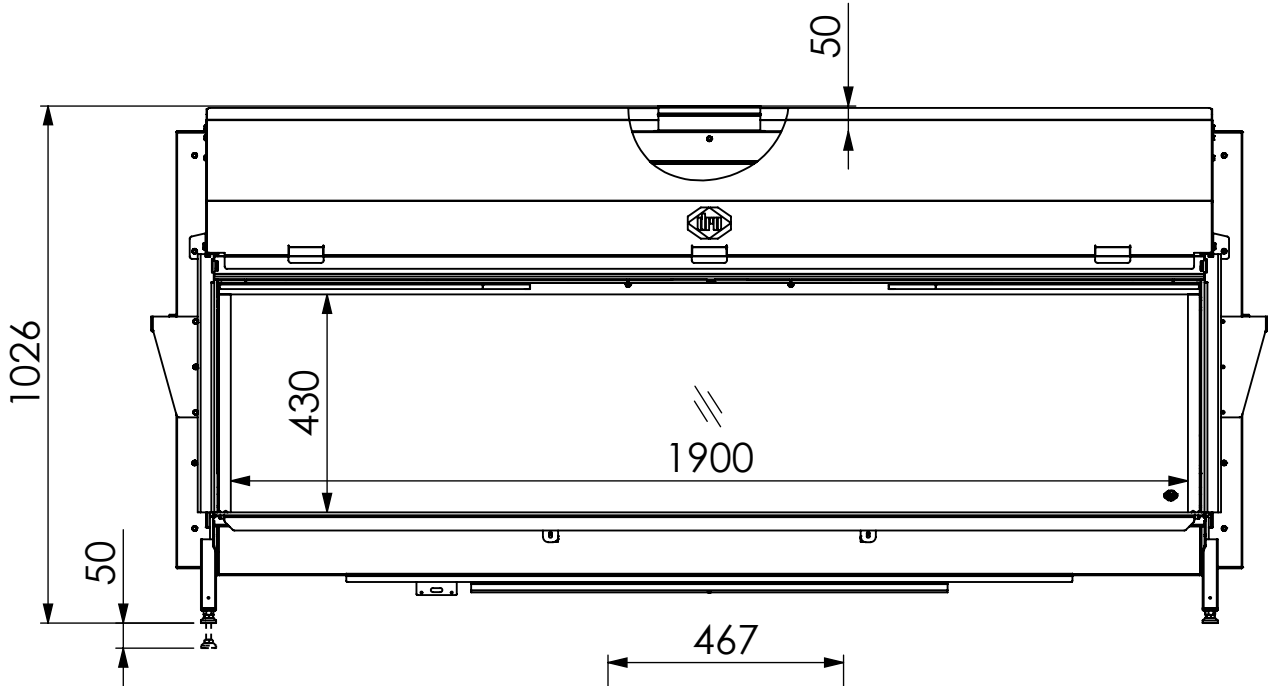
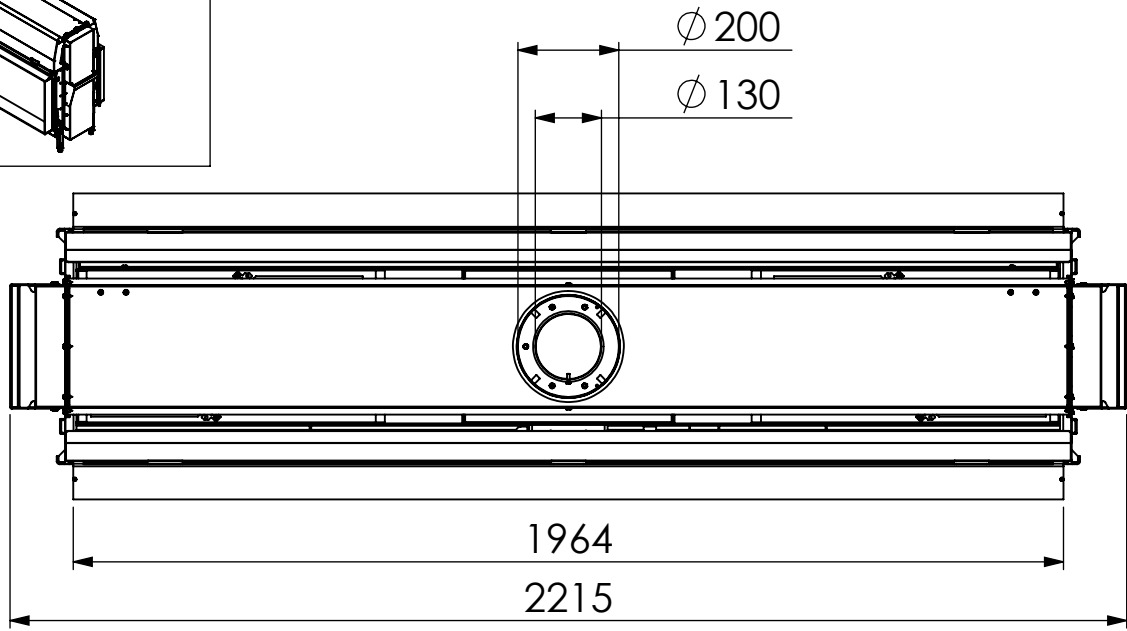
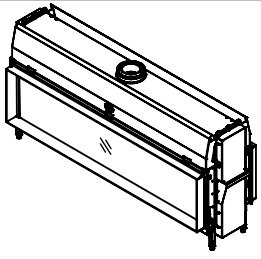


# Metro 200XT Tunnel RCH



# Metro 200XT Tunnel RCH 4S B=105 (70)



# Metro 200XT Tunnel RCH 4S B=135 (100)

